

Intermatic Pool & Spa Equipment and Solutions

Heat Pumps | Filters | Timers | Transformers | Load Centers | Pumps | Spa Air Blowers | Automation Systems



Intermatic.com

INTERMATIC®

A Trusted Partner, Now with Even More to Offer

For decades, professionals have trusted Intermatic to deliver reliable, easy-to-install solutions that enhance the pool and spa experience. Building on that legacy, we're excited to expand our pool and spa catalog with new equipment and solutions to support in-ground, above-ground, and soft-sided pool needs.

From filters and heat pumps to timer controls and safety transformers, we've got everything pool and spa professionals need to get the job done this season.

New in Pool and Spa



Sand Filters



Cartridge Filters



Pool Pumps



Heat Pumps



Spa Air Blowers



Pool Cover Pumps



Sand Filter Systems



Cartridge Filter Systems



Optimizer Automation



Maintenance and Control

Get to Know **INTERMATIC**

Founded in 1891, Intermatic has been serving customers in the electrical, pool and spa, HVAC/R, retail, and OEM markets for more than a century. We're a family-owned business with local values and a global reach.

Our extensive portfolio ranges from basic time switches and pool-spa controls to robust commercial lighting systems and industrial surge protection. From our U.S. headquarters, we strive to develop solutions that are simple to use and withstand the test of time, keeping quality, value, and reliability at the heart of everything we do.



Founded
1891



Headquarters
Libertyville, Illinois



Employees
820+
(worldwide)



Manufacturing
882,487 ft² ISO
Certified Facility in Juarez,
Chihuahua (Mexico)



Global Network
Representatives
in 35+ countries
across six continents

Inside this Catalog

Our product catalog is designed to provide you with all the information you need to make a purchasing decision. In addition to product photos, specs, and features, we've included QR codes within each section that link to related videos, articles, wiring diagrams, tutorials, and more.


Easily find the product category with color-coded sections

Heat Pumps
Traditional Series

Heat Pumps
AHN Series

Product description, applications & features

Product photos



PRD1500QHC

Heat Pumps TRADITIONAL SERIES

Extend the swimming pool and spa season with a Traditional Series Heat Pump from Intermatic. These high-efficiency solutions are designed for long lasting performance in above-ground, in-ground pool and spa applications. Includes features like the heat pump's digital thermostat, titanium heat exchanger, UV resistant housing, and self-diagnostic tool help lower operating costs and reduce maintenance issues. Select Traditional Series models can also be used for cooling, which is ideal in warmer heat conditions. All models offer a patented self-diagnostic indicator, robust titanium heat exchanger as well as an easy-to-use digital thermostat.

Applications

- Above-ground and in-ground pool and spa

Features

- Includes aneod commercial-grade, corrosion-resistant titanium heat exchangers
- Built-in diagnostic indicator light alerts users to abnormal operating conditions, extending the unit's service life while reducing operating costs and service calls
- Energy efficient heat pump technology
- Chiller technology - Available with inverting valve functionality that can automatically heat or cool your pool to the desired temperature*
- AHRI Certified for performance
- High temperature lock out feature
- Automation ready - compatible with remote system controllers
- Built-in quiet fan technology promotes low operating noise
- Durable UV-resistant condenser unit design. Factory-fitted thermoplastic housing protects from salt and impact damage

*Under-heat

Heat Pumps AHN SERIES

Enjoy perfect water temperatures all season long by installing an AHN Series Heat Pump from Intermatic. These durable, high-performance solutions are automation-ready and offer an ultra-quiet design. AHN Series Heat Pumps can be used in above-ground, in-ground, and spa applications, with a maximum capacity of up to 30,000 gallons. Like the Traditional Series, select AHN models provide cooling functionality. All models offer a patented self-diagnostic indicator, robust titanium heat exchanger as well as an easy-to-use digital thermostat.

Applications


- Above-ground and in-ground pool and spa

Features

- Includes aneod commercial-grade, corrosion-resistant titanium heat exchangers
- Built-in patented self-diagnostic indicator light alerts users to abnormal operating conditions, extending the unit's service life while reducing operating costs and service calls
- Energy efficient heat pump technology
- Chiller technology - Available with inverting valve functionality that can automatically heat or cool your pool to the desired temperature*
- AHRI Certified for performance
- High temperature lock out feature
- Reliable long-lasting Copeland Scroll Compressor
- Automation ready - compatible with remote system controllers
- Built-in quiet fan technology promotes low operating noise
- Durable UV-resistant condenser unit design. Factory-fitted thermoplastic housing protects from salt and impact damage

*Under-heat

Heat Pumps



PRD400AHN

Ratings and model charts


Performance Testing Results*

Model #	SEER	SEER2	SEER3	SEER4	SEER5
PRD1500QHC	5.3	127,000	5.3	118,000	4
PRD1500QHC	5.3	127,000	5.3	118,000	4
PRD1500QHC	5.3	127,000	5.3	118,000	4
PRD1500QHC	5.3	127,000	5.3	118,000	4
PRD1500QHC	5.3	127,000	5.3	118,000	4

*1/2" coil COP rating is a maximum with 80°F indoor temperature and 45°F outdoor temperature. SEER2, SEER3, SEER4, SEER5, and SEER6 are based on 80°F indoor temperature and 45°F outdoor temperature. SEER6 is based on 80°F indoor temperature and 45°F outdoor temperature. SEER6 is based on 80°F indoor temperature and 45°F outdoor temperature.

Model #	SEER	SEER2	SEER3	SEER4	SEER5
PRD1500QHC	5.3	127,000	5.3	118,000	4
PRD1500QHC	5.3	127,000	5.3	118,000	4
PRD1500QHC	5.3	127,000	5.3	118,000	4
PRD1500QHC	5.3	127,000	5.3	118,000	4
PRD1500QHC	5.3	127,000	5.3	118,000	4

QR codes linked to supporting resources (e.g., how-to videos, wiring diagrams)



Refer to the product index (page 4) for a complete list by model #

Visit Intermatic.com Today!

From product sell sheets and wiring diagrams to technical support and how-to content, **Intermatic.com** is your go-to resource for all things Intermatic.

We've recently updated our website to showcase the many markets and applications Intermatic solutions can be used in while putting loads of helpful resources at our customers' fingertips.

Along with this, we've created a unique interactive catalog experience that combines the look and feel of our printed catalog with dynamic videos, diagrams, articles, and more. It lets users browse the catalog, search for specific products, and print/share individual catalog pages from any computer or smart device.

Lastly, we've added a host of time-saving features like online chat support and a product cross-reference guide to get customers the answers they need as quickly as possible. Visit Intermatic.com today to see these exciting resources in action.



Scan the QR code to view the online interactive catalog



Table of Contents

<p>Sand Filters 6-11 Introduction 6-7 Standalone Filters 8 Complete 2-Speed Above-ground Systems 9 Complete Soft-Sided Systems 9 Service Parts Breakdown 10-11</p> <p>Cartridge Filters 12-21 Introduction 12-13 Standalone Cartridge Filters 14-15 Cartridge Filter Systems 16-17 Service Parts Breakdown 18-21</p> <p>Heat Pumps 22-29 Introduction 22-23 Key Features 24 ECO Series 25 Traditional Series 26 AHN Series 27 Service Parts Breakdown 28-29</p> <p>Spa Air Blowers 30-33 Introduction 30-31 Silent Twister Series 32 Service Parts Breakdown 33</p> <p>Pool Pumps 34-39 Introduction 34-35 2-Speed Pumps 36 Variable Speed Pumps 37 Service Parts Breakdown 38-39</p>	<p>Cover Pumps 40-43 Introduction 40-41 WATERSPIDER® Series 42 G Series 43</p> <p>Coming Soon 44-47 Introduction 44-45 Optimizer Automation Systems 46 Chemical Maintenance 47 Wireless Controls 47</p> <p>Solutions 48-79 Introduction 48-49 Mechanical Controls 50-51 Mechanical Control Centers 52-57 Load Centers 58-59 Surge Protection 60-61 Transformers 62 Junction Boxes 63 Wi-Fi Controls 64-65 Electronic Controls 66-67 Electronic Control Centers 68-69 Wireless Add-On Components 70-71 Valve Actuators 71 Freeze Protection Controls 72 Remote Controls 73 Air Switches 74 Panel Mount Timers 75 Specialty Controls 76 Electronic Panel Mount Timers 77 Portable Timers & Enclosures 78 Accessories 79</p>
--	---

Sand Filter Equipment

Simplify above-ground and soft-sided pool setups with our durable, high-efficiency sand filter systems. These easy-to-install solutions are perfect for residential pool and spa applications.



Quiet, High-Performance Motor

Enjoy the water without the hum of loud equipment noise thanks to the Totally Enclosed Fan-Cooled (TEFC) technology found within our sand filter solutions. This feature limits motor noise while protecting the filter from outdoor elements.

Multiple Sizing Options

Find the perfect fit for your above-ground or soft-sided pool with the multiple sand filter sizing options. Available in filter tank sizes ranging from 13" to 24" for improved performance.



Comfortable Valve Adjustment

An easy-to-operate 7-position multi-port control valve simplifies routine water maintenance tasks. Similarly, above-ground models include a 360-degree flange clamp to simplify plumbing during installation.

Ready to Go

Intermatic sand filter systems are available in multiple horsepower options and tank sizes to accommodate a wide variety of pool styles. Our largest capacity solution can turn over up to 36,000 gallons of water in 10 hours.



Contents

Standalone Filters.....	8
Complete 2-Speed Above-ground Systems.....	9
Complete Soft-sided Systems.....	9
Service Parts Breakdowns.....	10-11

Additional Solutions and Resources

Ready to get started? Scan the QR code to the right to view additional product information and resources on [Intermatic.com](https://www.intermatic.com).





APASF16

Standard Sand Filters
STANDALONE FILTERS

Intermatic sand filter series for above-ground pools offers leading-edge technology for unparalleled efficiency, flow, and serviceability. The seven-position operating valve provides simple operation and dependability. The robust slotted laterals with rotational design allow for simple installation and outstanding performance.

Applications

- Above-ground Pools and Inground Pools

Features

- Seven-position operating valve for simple operation and dependability
- Rotational laterals provide full flow, limit maintenance needs
- Flange clamp design allows for 360-degree rotation, which simplifies plumbing
- Available extra-deep sand bed for longer filter runs
- Easy-to-read pressure gauge allows for quick performance assessment
- Constructed of corrosion proof reinforced thermoplastic tank for long service life
- Thermoplastic base for quick installation
- Drain valve for easy maintenance

Model #	Filter Area (Sq Ft)	Flow Rate (GPM)	Turnover Capacity (Gallons)			Required Sand (lbs)	Tank Size	Sight Glass	Warranty
			6 Hours	8 Hours	10 Hours				
APASF16	1.40	35	16800	21000	25200	100	16"	Yes	1-Year limited
APASF19	1.80	40	19200	24000	28800	150	19"	Yes	1-Year limited
APASF24	2.30	60	22800	36000	43200	300	24"	Yes	1-Year limited

Sand Filter Systems

COMPLETE 2-SPEED ABOVE-GROUND SYSTEMS

We partnered our energy-efficient 2-speed Purflo pumps with our highly-effective sand filters. This complete solution will keep your pool cleaner with minimal maintenance. Intermatic sand filters offer leading edge technology for unparalleled efficiency, flow, and serviceability. The seven-position operating valve provides simple operation and dependability. The robust slotted laterals with rotational design allows for simple installation and outstanding performance.

Applications

- Above-ground Pools

Features

- 7-Position operating valve for simple operation and dependability
- Rotational laterals for full flow & simple maintenance
- Flange clamp design allows for 360 rotation and simple plumbing
- Extra-deep sand bed for longer filter runs
- Easy-to-read pressure gauge allows for quick performance assessment
- Includes air relief and pressure gauge
- Constructed of corrosion-proof reinforced thermoplastic tank for long service life
- 6 ft. cord with standard plug and a drain valve for easy maintenance
- Totally Enclosed Fan-Cooled TEFC pool pump technology
- Quiet and DOE compliant Purflo 2-speed self priming pump



APA202SP6319SFK



Model #	Motor (HP)	Filter Area (Sq Ft)	Flow Rate (GPM)	Turnover Capacity (Gallons)		Required Sand (lbs)	Tank Size	Sight Glass	Warranty
				8 Hours	10 Hours				
APA152SP6316SFK	1 1/2	1.40	35	16800	21000	100	16"	Yes	1-Year limited
APA152SP6319SFK	1 1/2	1.80	40	19200	24000	150	19"	Yes	1-Year limited
APA202SP6319SFK	2	1.80	40	19200	24000	150	19"	Yes	1-Year limited
APA202SP6324SFK	2	2.30	60	28800	36000	300	24"	Yes	1-Year limited

Sand Filter Systems

COMPLETE SOFT-SIDED SYSTEMS

Intermatic sand filter and pump systems for soft-sided pools deliver unparalleled hydraulic performance and silent operation. They come with a complete accessory offering to make installation a breeze.

Applications

- Soft-sided Pools

Features

- 4-Way EZ-lock valve (APASFAL75)
- 4-way standard valve (APASFAL50)
- 6-360 degree slotted lateral (APASFAL75)
- Single manifold lateral (APASFAL50)
- Easy-to-read pressure gauge allows for quick performance assessment
- Constructed of corrosion-proof reinforced thermoplastic tank for long service life
- Totally Enclosed Fan-Cooled TEFC pool pump technology
- Includes 40mm fittings to work with all soft-sided & hard-wall pools



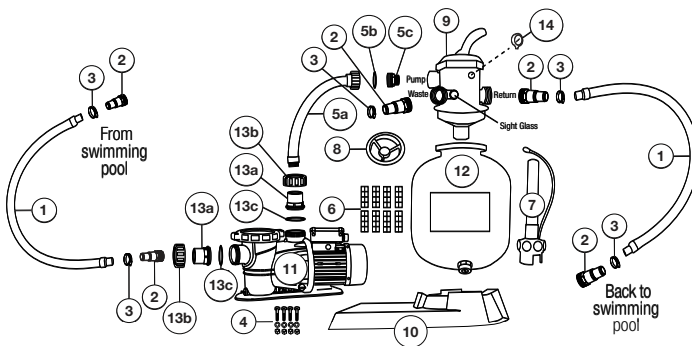
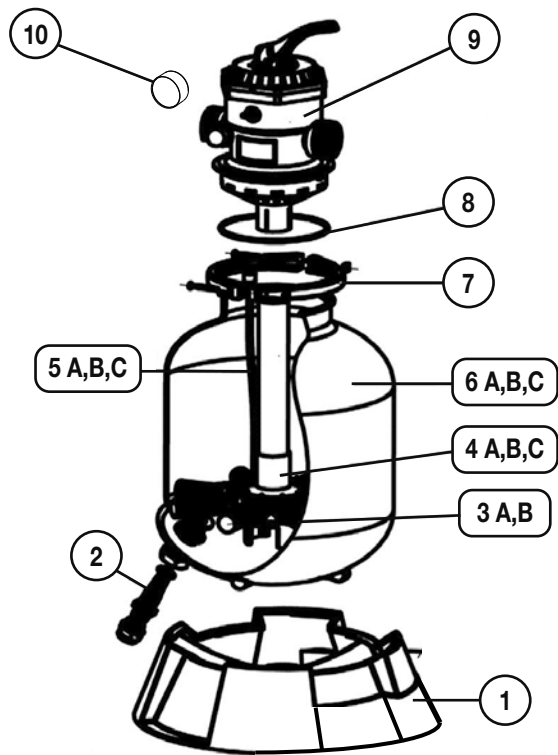
APASFAL50



Model #	Motor (HP)	Flow Rate (GPM)	Turnover Capacity (Gallons)		Required Sand (lbs)	Tank Size	Sight Glass	Warranty
			8 Hours	10 Hours				
APASFAL50	1/2	30	14400	18000	45	13"	No	1-Year limited
APASFAL75	3/4	45	21600	27000	75	15"	Yes	1-Year limited

Sand Filters

Standalone and 2-Speed Complete Sand Systems Service Parts Breakdown

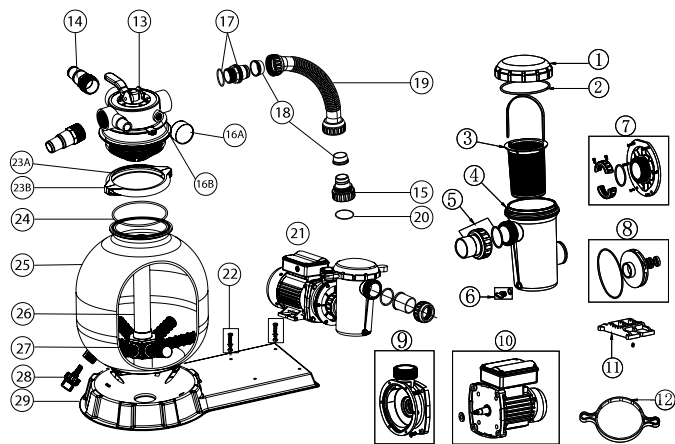


2-SPEED COMPLETE SAND SYSTEMS SERVICE PARTS BREAKDOWN

Ref. #	Part Number	Description	Quantity
1	10020-001	6 ft. Hoses	2
2	65020-01	Hose barbs	5
3	65022-01	Hose clamps	5
4	65035-01	Hardware for pump:	1
		Bolts	4
		Nuts	4
		Washers	4
5a		Discharge hose	1
	65023-01HC	Tank hose 16"	
	65023-02HC	Tank hose 19"	
	65023-03HC	Tank hose 24"	
5b	65023-0ring	Discharge o-ring	1
5c	65023-Adapter	Discharge adapter	1
6		Lateral kit	1
	65011-01	Lateral kit 16" & 19"	
	65012-01	Lateral kit 24"	
7		Center pipe	1
	65017-01	Center pipe 16"	
	65018-01	Center pipe 19"	
	65019-01	Center pipe 24"	
8	65046-01	Neck fill centering funnel	1
9	65016-01	7- Way filter valve	1
10	65027-01	Sand filter & pump mounting tray	1
11		Pool pump	1
	72005-XXX	1.5 HP 2 Speed pool pump with switch	
	72008-XXX	2 HP 2 Speed pool pump with switch	
12		Filter tank	1
	65031-01	Filter tank 16"	
	65032-01	Filter tank 19"	
	65033-01	Filter tank 24"	
13	63061-01	Pump adapter kit (serial number before 19050)	1
13a	63061-2020	Pump adapter (serial number 19050 and after)	2
13b	63063-01	Pump adapter o-ring (serial number before 19050)	2
13c	63063-2020	Pump adapter o-ring (serial number of 19050 and after)	2
14	65025-01	Pressure gauge	1
15	65014-01	Valve flange clamp with hardware	1

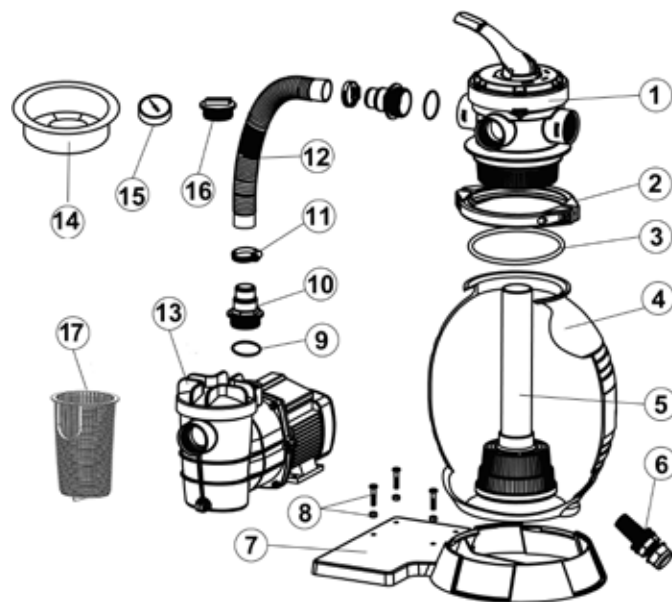
16"/19"/24" STANDALONE SAND TANKS SERVICE PARTS BREAKDOWN

Ref. #	Part Number	Description	Quantity
1	65027-01	Sand filter / pump base	1
2	65010-01	Tank drain assembly	1
3A	65011-01	Laterals for 16" & 19" tanks (4 1/4" length)	8
3B	65012-01	Laterals for 24" tanks (7 3/8" length)	8
4A	65017-01	Center pipe for 16" tanks (17 5/8" length)	1
4B	65018-01	Center pipe for 19" tanks (21 1/8" length)	1
4C	65019-01	Center pipe for 24" tanks (27 3/4" length)	1
5A	65028-01	Air relief system 16"	1
5B	65029-01	Air relief system 19"	1
5C	65030-01	Air relief system 24"	1
6A	65031-01	Tank only 16"	1
6B	65032-01	Tank only 19"	1
6C	65033-01	Tank only 24"	1
7	65014-01	Flange clamp	1
8	65015-01	Tank body / valve o-ring	1
9	65016-01	7-Way valve	1
10	65025-01	Pressure gauge	1



AL75 SOFT-SIDED COMPLETE SAND SYSTEM SERVICE PARTS BREAKDOWN

Ref. #	Part Number	Description	Quantity
1	10061-ACC	AL75 Pump lid	1
2	10062-ACC	AL75 Pump lid o-ring	1
3	10063-ACC	AL75 Basket with handle	1
4	10064-ACC	AL75 Pump basket housing (pre-filter)	1
5	10065-ACC	AL75 Suction 1.5" union only	1
6	10066-ACC	AL75 Pool pump drain plug with o-ring	1
7	10067-ACC	AL75 Inter-locking kit set	1
8	10068-ACC	AL75 Impeller & shaft seal Kit	1
9	10069-ACC	AL75 Seal plate	1
10	10070-ACC	AL75 Motor kit set (.75hp)	1
11	10071-ACC	AL75 Pump base	1
12	10072-ACC	AL75 Key (tool) for pump lid	1
13	10073-ACC	AL75 4-Way valve	1
14	10074-ACC	AL75 32mm to 38mm Hose barb adapter with o-ring	4
15	10075-ACC	AL75 Valve inlet 1.5" union set with o-ring	1
16A	10076-ACC	AL75 Plastic pressure gauge with o-ring (40psi)	1
16B	10076-ACC2	AL75 Pressure gauge connector	1
17	10077-ACC	AL75 Hose adapter (pump discharge hose to valve inlet union)	1
18	10078-ACC	AL75 Rubber sleeve seal for hose	2
19	10079-ACC	AL75 Plastic hose from pump to filter with nuts	1
20	10080-ACC	AL75 Pump unions o-rings	2
21	10081-ACC	AL75 Complete pump	1
22	10082-ACC	AL75 Mounting hardware (pump to base)	2
23A	10083-ACC	AL75 Half clamps	1
23B	10083-ACC2	AL75 M6*50 Screw with nut for valve half clamp	1
24	10084-ACC	AL75 Valve half clamp o-ring	1
25	10085-ACC	AL75 Filter tank body	1
26	10086-ACC	AL75 Center pipe (15 3/4" long)	1
27	10087-ACC	AL75 Laterals (4.5" long)	6
28	10088-ACC	AL75 Filter tank drain plug set	1
29	10089-ACC	AL75 Combo (pump & filter) base	1
30	98118-001	AL75 40mm 1-1/2" Soft side pool adapter & o-ring (not shown)	2
32	10091-ACC	AL75 Capacitor (not shown)	2
33	10073-AQP1	AL75 Valve decal (not shown)	2
34	10030-ACC3	AL75 Hose clamps (not shown)	5



AL50 SOFT-SIDED COMPLETE SAND SYSTEM SERVICE PARTS BREAKDOWN

Ref. #	Part Number	Description	Quantity
1	98100-001	4-Way valve	1
2	98101-001	Flange clamp	1
3	98102-001	O-ring	1
4	98103-001	Filter tank	1
5	98104-001	Center pipe assembly	1
6	98105-001	Drain plug	1
7	98106-001	Sand filter support	1
8	98107-001	Screw and nut	4
9	98108-001	O-ring	5
10	98109-001	Hose adaptor	5
11	98110-001	Hose clamp	2
12	98111-001	1 1/4" x 14" hose	1
13	98112-001	30 GPM Pump	1
14	98113-001	Neck fitting for sand fill	1
15	98114-001	Pressure gauge	1
16	98115-001	Plug with o-ring 1 1/2"	1
17	98116-001	Basket	1
18	98117-001	Bag of accessories (A-H)	1
19	98120-001	AL50 Pump lid o-ring	1
20	98119-001	AL50 Pump clear lid	1
21	98118-001	40 mm - 1-1/2" Soft Side Pool adapter & seal	2
22	98123-001	AL50 Capacitor (not shown) 12 uf	2

Cartridge Filter Equipment

Promote pool cleanliness with our user-friendly cartridge filter solutions. These versatile filters remove dirt and debris while helping pool owners minimize equipment maintenance needs.



Easy Installation and Maintenance

Simplify filter installations with an Intermatic cartridge filter. The universally compatible NPT setup provides hassle-free installation and maintenance.

Durable Construction

Cartridge filters are built using corrosion-proof reinforced thermoplastic materials. This helps promote long service life and protects filter components from outdoor elements.



Quick Diagnostics and Filter Replacement

Easy-to-read pressure gauges allow pool owners to confirm cartridge filter performance in seconds. Change filters in a snap using the unit's ½ turn secure-n-lock housing.

Best-In-Class Water Sanitation

Choose high-performance Diatomaceous Earth (DE) filters to maximize water purity. The eco-friendly solutions remove dirt and debris down to an impressive 5 microns.



Contents

Standalone Cartridge Filters	14-15
Cartridge Filter Systems	16-17
Service Parts Breakdown	18-21

Additional Solutions and Resources

Ready to get started? Scan the QR code to the right to view additional product information and resources on **Intermatic.com**.





APF250PRO

Apex Cartridge Standalone Filters

APEX SERIES

Remove dirt and debris down to 20 microns with our high performance Apex series cartridge filters. These eco-friendly solutions are an upgrade to standard sand filters and require minimal maintenance.

Applications

- Inground and above-ground pool and spa

Features

- Universally compatible NTP setup provides hassle-free installation and maintenance
- Constructed of corrosion proof reinforced thermoplastic tank for long service life.
- Single cartridge element
- 2" NPT female fittings
- Quick change cartridge filters with 1/2 turn secure-n-lock replacement
- Easy-to-read pressure gauge allows for quick performance assessment
- Works well with low speeds
- Manual air relief valve preinstalled from the factory
- Large drain plug

Model #	Description	Filter Area (Sq Ft)	Min Service Clearance	Filter Element Height	Rec. Flow (GPM)	Turnover Capacity (Gallons)			Max Flow Rate (GPM)	Turnover Capacity (Gallons)			Max Working PSI	Replacement Filter	Warranty
						6 Hour	8 Hour	10 Hour		6 Hour	8 Hour	10 Hour			
APF100PRO	Apex Cartridge Filter (tall)	100	46"	34"	50	18000	24000	30000	100	36000	48000	60000	50	62553-AQP1	1-Year limited
APF150PRO	Apex Cartridge Filter (short)	150	39"	26 5/8"	75	27000	36000	45000	150	54000	72000	90000	50	62556-AQP1	1-Year limited
APF151PRO	Apex Cartridge Filter (tall)	150	46"	34"	75	27000	36000	45000	150	54000	72000	90000	50	62556-AQP8	1-Year limited
APF190PRO	Apex Cartridge Filter (tall)	190	46"	34"	95	34200	45600	57000	150	54000	72000	90000	50	62441PF-AQP1	1-Year limited
APF200PRO	Apex Cartridge Filter (tall)	200	46"	34"	100	36000	48000	60000	150	54000	72000	90000	50	62557-AQP1	1-Year limited
APF250PRO	Apex Cartridge Filter (tall)	250	46"	34"	125	45000	60000	75000	150	54000	72000	90000	50	62558-AQP1	1-Year limited

*Flow rate & turnover capacity based on filter

Diatomaceous Earth (DE) Standalone Filters

DE SERIES

Remove dirt and debris down to 5 microns our high performance D.E. series filters. These eco-friendly solutions are an upgrade to standard sand filters and require minimal maintenance.

Applications

- Above-ground and inground pool and spa

Features

- Universally compatible NTP setup provides hassle-free installation and maintenance
- Single D.E. (Diatomaceous Earth) element
- 2" NPT female fittings
- Quick change cartridge filters with 1/2 turn secure-n-lock replacement
- Easy-to-read pressure gauge allows for quick performance assessment
- Works well with low speeds
- Large drain plug
- Constructed of corrosion proof reinforced thermoplastic tank for long service life
- Manual air relief valve pre-installed from the factory



APF048PRO

Model #	Description	Filter Area (Sq Ft)	Min Service Clearance	Filter Element Height	D.E. Req.	Rec. Flow (GPM)	Turnover Capacity (Gallons)			Max Flow Rate (GPM)	Turnover Capacity (Gallons)			Max Working PSI	Replacement Filter	Warranty
							6 Hour	8 Hour	10 Hour		6 Hour	8 Hour	10 Hour			
APF024PRO	D.E. Filter (tall)	24	46"	34"	3lbs	48	17280	23040	28800	60	21600	28800	36000	50	62551-AQP1	1-Year limited
APF036PRO	D.E. Filter (short)	36	39"	26 5/8"	3.5lbs	72	25920	34560	43200	90	32400	43200	54000	50	62559-AQP1	1-Year limited
APF048PRO	D.E. Filter (tall)	48	46"	34"	4.5lbs	96	34560	46080	57600	120	43200	57600	72000	50	62560-AQP1	1-Year limited
APF072PRO	D.E. Filter (tall)	72	46"	34"	6.5lbs	144	51840	69120	86400	150	54000	72000	90000	50	62552-AQP1	1-Year limited

*Flow rate & turnover capacity based on filter

Mega Cartridge Filter

MEGA SERIES

Remove dirt and debris down to 20 microns with our high performance 4-element Mega Series cartridge filters. These environmentally-friendly solutions are an upgrade to standard sand filters and require minimal maintenance.

Applications

- Inground pool and spa

Features

- Universally compatible NTP setup provides hassle-free installation and maintenance
- Quad cartridge elements provide extra dirt-holding capacity & superior flow
- Unionized 2" connectors
- Easy-to-read pressure gauge allows for quick performance assessment
- Works well with low speeds
- No backwashing required
- Large drain plug
- Constructed of corrosion proof reinforced thermoplastic tank for long service life



APF425PRO

Model #	Description	Filter Area (Sq Ft)	Min Service Clearance	Filter Element Height	Cartridges Required	Rec. Flow (GPM)	Turnover Capacity (Gallons)			Max Flow Rate (GPM)	Turnover Capacity (Gallons)			Max Working PSI	Replacement Filter	Warranty
							6 Hour	8 Hour	10 Hour		6 Hour	8 Hour	10 Hour			
APF425PRO	Mega Cartridge Filter	425	57"	25"	4	150	54000	72000	90000	150	54000	72000	90000	50	42507-001	1-Year limited
APF525PRO	Mega Cartridge Filter	525	71"	32 3/4"	4	150	54000	72000	90000	150	54000	72000	90000	50	42507-002	1-Year limited

*Flow rates above 150GPM are not recommended

**Larger sizes reduce maintenance by extending the time between required cartridge element cleaning (APF525PRO)



APA152P63100CFK

Apex Cartridge Filter Systems

APEX SERIES SYSTEMS

This solution combines an energy-efficient two-speed Purflo pump with a highly effective Apex Series cartridge filter to remove dirt and debris down to 20 microns.

Applications

- Above-ground pool and spa

Features

- Quiet and DOE compliant Purflo two-speed pump
- Single cartridge element
- Totally Enclosed Fan-Cooled (TEFC) pool pump technology
- Quick change cartridge filters with 1/2 turn secure-n-lock replacement
- Easy-to-read pressure gauge allows for quick performance assessment
- Self-Priming Pump
- No backwashing required
- Large drain plug
- Constructed of corrosion proof reinforced thermoplastic tank for long service life
- Manual air relief valve pre-installed from the factory and a 3 ft cord with a twist-lock plug or 6ft cord with standard plug

Model #	Description	Filter Area (Sq Ft)	Min Service Clearance	Filter Element Height	Rec. Flow (GPM)	Turnover Capacity (Gallons)			Max Flow Rate (GPM)	Turnover Capacity (Gallons)			Max Working PSI	Replacement Filter	Warranty
						6 Hour	8 Hour	10 Hour		6 Hour	8 Hour	10 Hour			
APA152P63100CFK	Apex Cartridge Filter (tall) with 1.5 HP Pump	100	46"	34"	50	18000	24000	30000	100	36000	48000	60000	50	62553-AQP1	1-Year limited
APX152SP63110CFK	Apex Cartridge Filter Keyed (tall) with 1.5 HP Pump	110	46"	34"	55	19800	26400	33000	110	39600	52800	66000	50	62442X-APX2	1-Year limited
APA152SP3T150CFK	Apex Cartridge Filter (tall) with 1.5 HP Pump	150	46"	34"	75	27000	36000	45000	150	54000	72000	90000	50	62556-AQP8	1-Year limited
APA152SP63150CFK	Apex Cartridge Filter (tall) with 1.5 HP Pump	150	46"	34"	75	27000	36000	45000	150	54000	72000	90000	50	62556-AQP8	1-Year limited
APA202SP63150CFK	Apex Cartridge Filter (tall) with 2 HP Pump	150	46"	34"	75	27000	36000	45000	150	54000	72000	90000	50	62556-AQP8	1-Year limited
APA152SP63200CFK	Apex Cartridge Filter (tall) with 1.5 HP Pump	200	46"	34"	100	36000	48000	60000	150	54000	72000	90000	50	62557-AQP1	1-Year limited
APA202SP63200CFK	Apex Cartridge Filter (tall) with 2 HP Pump	200	46"	34"	100	36000	48000	60000	150	54000	72000	90000	50	62557-AQP1	1-Year limited
APA202SP63250CFK	Apex Cartridge Filter (tall) with 2 HP Pump	250	46"	34"	125	45000	60000	75000	150	54000	72000	90000	50	62558-AQP1	1-Year limited

*Flow rate & turnover capacity based on filter

Diatomaceous Earth (DE) Filter Systems

DE SERIES SYSTEMS

This solution pairs an energy-efficient two-speed Purflo pump with our best-in-class D.E. filter to remove dirt and debris down to 5 microns. The hybrid solution ensures the highest pool sanitation with minimal maintenance.

Applications

- Above-ground pools

Features

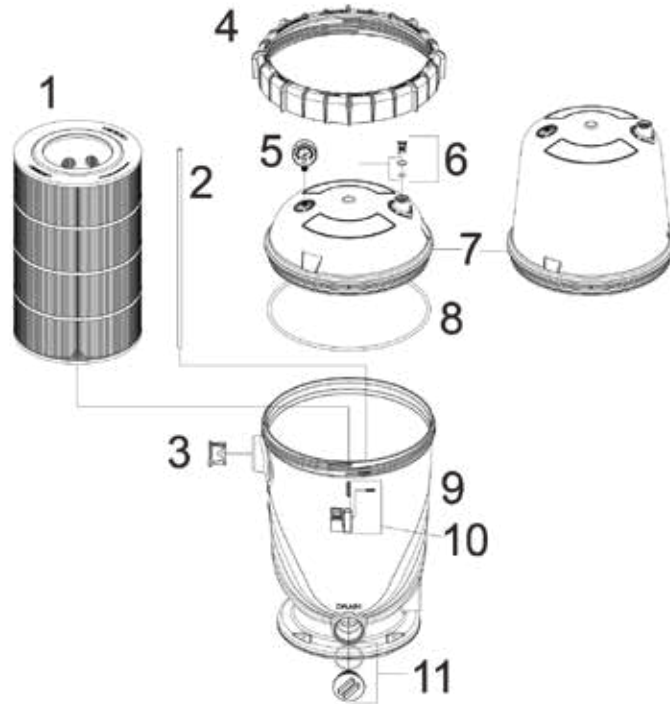
- Quiet and DOE compliant Purflo 2 speed pump
- Single D.E. (Diatomaceous Earth) element
- Totally Enclosed Fan-Cooled (TEFC) pool pump technology
- Quick change cartridge filters with 1/2 turn secure-n-lock replacement
- Easy-to-read pressure gauge allows for quick performance assessment
- Self-Priming Pump
- Large drain plug
- Constructed of corrosion proof reinforced thermoplastic tank for long service life
- Manual air relief valve pre-installed from the factory and a 6 ft. cord with a standard plug



APA202SP63048DFK

Model #	Description	Filter Area (Sq Ft)	Min Service Clearance	Filter Element Height	D.E. Req.	Rec. Flow (GPM)	Turnover Capacity (Gallons)			Max Flow Rate (GPM)	Turnover Capacity (Gallons)			Max Working PSI	Replacement Filter	Warranty
							6 Hour	8 Hour	10 Hour		6 Hour	8 Hour	10 Hour			
APA202SP63036DFK	D.E. Filter (tall) with 2 HP Pump	36	46"	34"	3.5lbs	72	25920	34560	43200	90	32400	43200	54000	50	62552-AQP1	1-Year limited
APA152SP63040DFK	D.E. Filter (tall) with 1.5 HP Pump	40	39"	26 5/8"	4lbs	80	28800	38400	48000	100	36000	48000	60000	50	62549-AQP1	1-Year limited
APA152SP63048TDFK	D.E. Filter (tall) with 1.5 HP Pump	48	46"	34"	4.5lbs	96	34560	46080	57600	120	43200	57600	72000	50	62560-AQP1	1-Year limited
APA202SP63048DFK	D.E. Filter (tall) with 2 HP Pump	48	46"	34"	4.5lbs	96	34560	46080	57600	120	43200	57600	72000	50	62560-AQP1	1-Year limited
APA202SP63072DFK	D.E. Filter (tall) with 2 HP Pump	72	46"	34"	6.5lbs	144	51840	69120	86400	150	54000	72000	90000	50	62552-AQP1	1-Year limited

*Flow rate & turnover capacity based on filter



APEX SERIES SERVICE PARTS BREAKDOWN

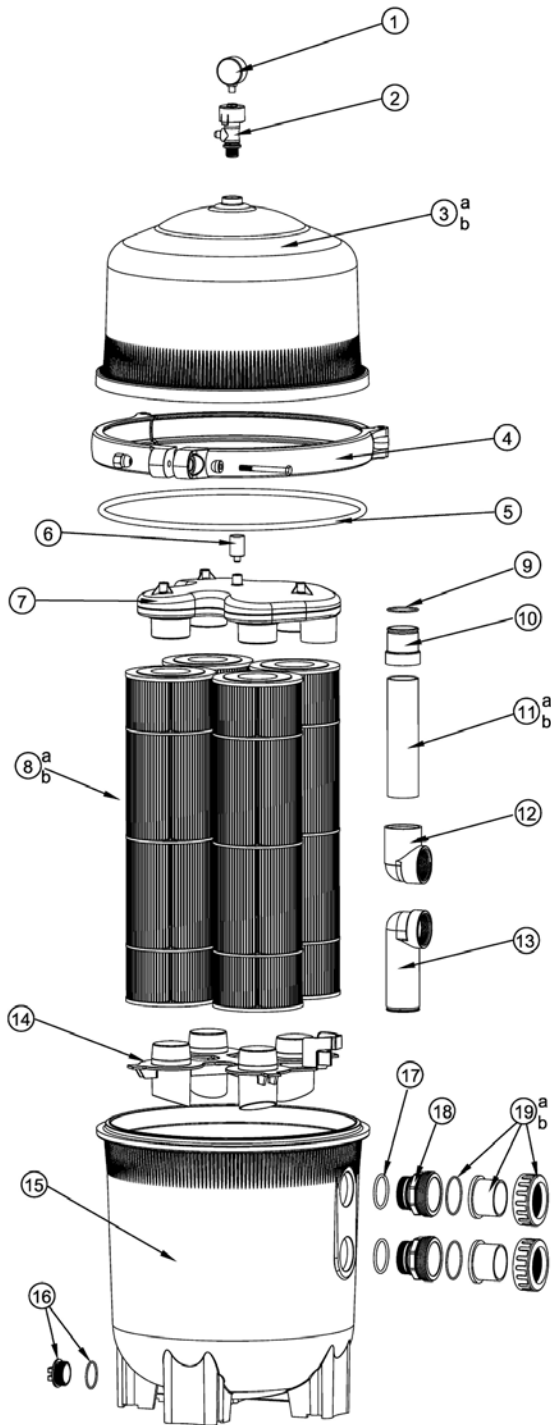
Ref #	Part #	Description	Qty
1A	62553-AQP1	100 Sq Ft (Tall) Pro Filter Cartridge	1
1B	62556-AQP1	150 Sq Ft (Short) Pro Filter Cartridge	1
1C	62556-AQP8	150 Sq Ft (Tall) Pro Filter Cartridge	1
1D	62557-AQP1	200 Sq Ft (Tall) Pro Filter Cartridge	1
1E	62441PF-AQP1	190 Sq Ft (Tall) Pro Filter Cartridge	1
1F	62558-AQP1	250 Sq Ft (Tall) Pro Filter Cartridge	1
2A	68028-001	Breather Tube - Low Pro Tank	1
2B	68029-001	Breather Tube - High Pro Tank	1
3	28584-001	Flow Diverter	1
4	28576-001	Locking Ring	1
5	6913	Filter Tank Pressure Gauge	1
6	28585-AQP1	Air Relief Valve Assembly (includes O-ring)	1
7A	28580-CR1	Filter Top Low Pro Tank	1
7B	28581-CR2	Filter Top High Pro Tank	1
8A	19079-001	Filter Tank Large/Small Oring Kit (includes Lubricant)	1
8B	19079-AQP1	Master O-ring kit (includes O-rings for entire filter)	1
9	28574-ACC	Filter Base	1
10	5736-AQP1	Filter Safety Latch Assembly (includes screws)	1
11	28583-AQP1	Drain Plug Assembly - 2" (includes O-ring)	1

DE SERIES SERVICE PARTS BREAKDOWN

Ref #	Part #	Description	Qty
1A	62551-AQP1	24 Sq Ft (Tall) Pro Filter DE Cartridge	1
1B	62559-AQP1	36 Sq Ft (Short) Pro Filter DE Cartridge	1
1C	62552-AQP1	36 Sq Ft (Tall) Pro Filter DE Cartridge	1
1D	62560-AQP1	48 Sq Ft (Tall) Pro Filter DE Cartridge	1
1E	62552-AQP1	72 Sq Ft (Tall) Pro Filter DE Cartridge	1
2A	68028-001	Breather Tube - Low Pro Tank	1
2B	68029-001	Breather Tube - High Pro Tank	1
3	28584-001	Flow Diverter	1
4	28576-001	Locking Ring	1
5	6913	Filter Tank Pressure Gauge	1
6	28585-AQP1	Air Relief Valve Assembly (includes O-rings)	1
7A	28580-DE1	Filter Top Low Pro Tank	1
7B	28581-DE2	Filter Top High Pro Tank	1
8A	19079-001	Filter Lid O-ring only	1
8B	19079-AQP1	Master O-ring kit (includes O-rings for entire filter)	1
9	28574-ACC	Filter Base	1
10	5736-AQP1	Filter Safety Latch Assembly (includes screws)	1
11	28583-AQP1	Drain Plug Assembly - 2" (includes O-ring)	1

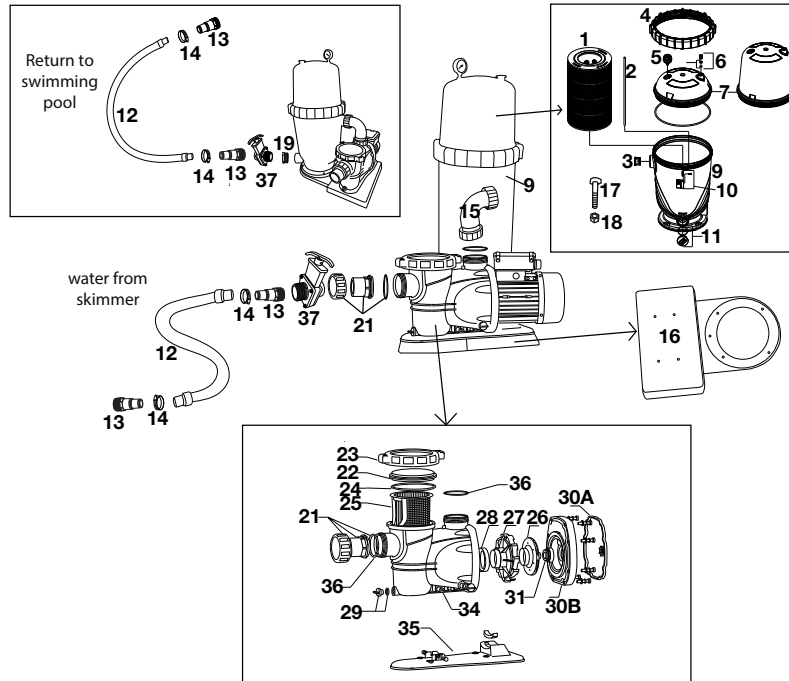
MEGA SERIES SERVICE PARTS BREAKDOWN

Ref #	Part #	Description	Qty
1	42500-001	Pressure Gauge	1
2	42501-001	Manual Air Relief Assembly	1
3A	42502-001	Upper Filter Body (425)	1
3B	42502-002	Upper Filter Body (525)	1
4	42503-001	Clamp System	1
5	42504-001	O-Ring	1
6	42505-001	Air Relief Filter	1
7	42506-001	Top Manifold	1
8A	42507-001	Cartridge Element (425)	4
8B	42507-002	Cartridge Element (525)	4
9	42508-001	O-Ring	1
10	42509-001	Adapter	1
11A	42510-001	Outlet Pipe	1
12	42511-001	Outlet Elbow	1
13	42511-002	Inlet Elbow	1
14	42512-001	Bottom Seal Plate	1
15	42513-001	Lower Filter Body	1
16	42514-001	1 1/2" Drain Plug w/ O-Ring	1
17	42515-001	O-Ring	2
18	42516-001	Bulkhead Fitting	2
19A	42517-001	Union Connection Kit	2



Cartridge Filters

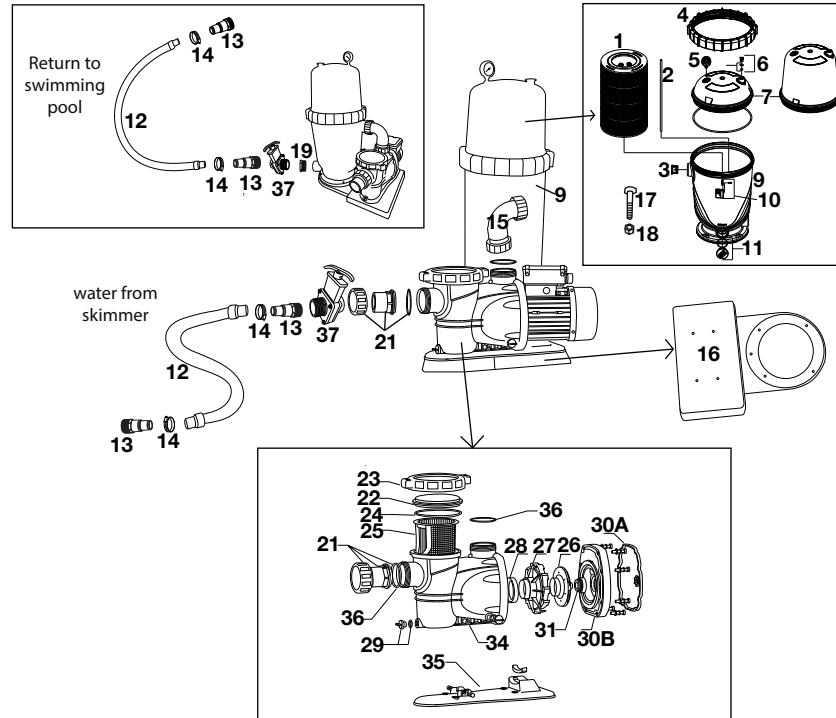
Service Parts Breakdown



APEX SYSTEM SERVICE PARTS BREAKDOWN

Ref #	Part #	Description	Qty
1A	62553-AQP1	100 Sq Ft (tall) Pro Filter Element	1
1B	62442X-APX2	110 Sq Ft (tall) Pro Filter Element W/Key	1
1C	62556-AQP8	150 Sq Ft (tall) Pro Filter Element	1
1D	62557-AQP1	200 Sq Ft (tall) Pro Filter Element	1
1E	62558-AQP1	250 Sq Ft (tall) Pro Filter Element	1
2A	68028-001	Breather Tube Low-Pro tank	1
2B	68029-001	Breather Tube High-Pro tank	1
3	28584-001	Flow Diverter	1
4	28576-001	Locking Ring	1
5	6913	Filter Tank Pressure Gauge	1
6	28585-AQP1	Air Relief Valve Assembly Replacement Kit	1
7A	28580-CR1	Filter Top Low Pro Tank	1
7B	28581-CR2	Filter Top High Pro Tank	1
8A	19079-001	Filter Lid O-ring only	1
8B	19079-AQP1	Master O-ring kit (includes o-rings for entire filter)	1
9A	FCABSE-ACC	Cartridge filter base assembly	1
9B	FCABSEK2-ACC	Keyed (X-Key) Cartridge filter base assembly	1
10	5736-AQP1	Filter Safety Latch Assembly (includes screws)	1
11	28583-AQP1	Drain Plug Assembly - 2" (includes O-ring)	1
12	10020-001	Black 6 foot hose (pool to filter/filter to pool)	2
13	65020-01	Universal Hose Barb Adapter for 15-125" hoses	5
14	65022-01	Hose Clamp	5
15A	28008-AQP1	Sweep 90 Pump to Filter Unionized System (Before serial number 19050)	1
15B	28008-2020	Sweep 90 Pump to Filter Unionized System (After serial number 19050)	1
15C	28001-SEAL	Flat seal required for Sweep 90 Pump Unionized system (28008-AQP1 & 28008-2020)	1
16	10000-ACC3	Filter/Pump Base Tray	1
17	67059-001	Bolt-Hex HD 5/16 x 2 for Filter base/pump	8

Ref #	Part #	Description	Qty
18	67061-001	Nut 5/16 for Filter base/pump	8
19	28004-001	2" - 1.5" Reducer Fitting	1
20A	72005-XX	1.5 HP 2 -Speed Pool Pump	1
20B	72008-XX	2 HP 2 - Speed Pool Pump	1
21	63061-01	Union Adapter Kit to 1-1/2"	1
22	63057-01	Clear Basket Cover	1
23	63056-01	Basket Locking Ring	1
24	63059-01	Filter Basket Lid O-ring	1
25	63058-01	Filter Basket	1
26	63008-02	Impeller 1.5 and 2 HP Pool Pumps	1
27	63007-02	Diffuser 1.5 and 2 HP Pool Pumps	1
28	63006-01	Diffuser seal	1
29A	63001-01	Drain plug	1
29B	63002-01	Drain plug O-ring	1
30A	63010-01	Seal Plate O-ring	1
30B	63010-02	Seal Plate	1
31	63009-01	Shaft seal	1
32	63041-01	Capacitor for 1.5 HP and 2 HP Pool Pumps (Single Speed)	1
33	63042-01	Capacitor for 1.5 HP and 2 HP Pool Pumps (Two Speed)	1
34	65034-01	Pump Main Wet-end Housing Only	1
35	63000-01	Pump Base	1
36A	63063-01	Union O-ring (Before serial number 19050)	1
36B	63063-2020	Union O-ring (After serial number 19050)	1
37	69000-01	Shut-off valve	1



DE SYSTEM SERVICE PARTS BREAKDOWN

Ref #	Part #	Description	Qty
1A	62553-AQP1	100 Sq Ft (tall) Pro Filter Element	1
1B	62442X-APX2	110 Sq Ft (tall) Pro Filter Element W/Key	1
1C	62556-AQP8	150 Sq Ft (tall) Pro Filter Element	1
1D	62557-AQP1	200 Sq Ft (tall) Pro Filter Element	1
1E	62558-AQP1	250 Sq Ft (tall) Pro Filter Element	1
2A	68028-001	Breather Tube Low-Pro tank	1
2B	68029-001	Breather Tube High-Pro tank	1
3	28584-001	Flow Diverter	1
4	28576-001	Locking Ring	1
5	6913	Filter Tank Pressure Gauge	1
6	28585-AQP1	AIR RELIEF VALVE ASSEMBLY REPLACEMENT KIT	1
7A	28580-DE1	Filter Top Low Pro Tank	1
7B	28581-DE2	Filter Top High Pro Tank	1
8A	19079-001	Filter Lid O-ring only	1
8B	19079-AQP1	Master O-ring kit (includes o-rings for entire filter)	1
9A	FCABSE-ACC	Cartridge filter base assembly	1
9B	FCABSEK2-ACC	Keyed (X-Key) Cartridge filter base assembly	1
10	5736-AQP1	Filter Safety Latch Assembly (includes screws)	1
11	28583-AQP1	Drain Plug Assembly - 2" (includes O-ring)	1
12	10020-001	Black 6 foot hose (pool to filter/filter to pool)	2
13	65020-01	Universal Hose Barb Adapter for 15-125" hoses	5
14	65022-01	Hose Clamp	5
15A	28008-AQP1	Sweep 90 Pump to Filter Unionized System (Before serial number 19050)	1
15B	28008-2020	Sweep 90 Pump to Filter Unionized System (After serial number 19050)	1
15C	28001-SEAL	Flat seal required for Sweep 90 Pump Unionized system (28008-AQP1 & 28008-2020)	1

Ref #	Part #	Description	Qty
16	10000-ACC3	Filter/Pump Base Tray	1
17	67059-001	Bolt-Hex HD 5/16 x 2 for Filter base/pump	8
18	67061-001	Nut 5/16 for Filter base/pump	8
19	28004-001	2" - 1.5" Reducer Fitting	1
20A	72005-XX	1.5 HP 2 -Speed Pool Pump	1
20B	72008-XX	2 HP 2 - Speed Pool Pump	1
21	63061-01	Union Adapter Kit to 1-1/2"	1
22	63057-01	Clear Basket Cover	1
23	63056-01	Basket Locking Ring	1
24	63059-01	Filter Basket Lid O-ring	1
25	63058-01	Filter Basket	1
26	63008-02	Impeller 1.5 and 2 HP Pool Pumps	1
27	63007-02	Diffuser 1.5 and 2 HP Pool Pumps	1
28	63006-01	Diffuser seal	1
29A	63001-01	Drain plug	1
29B	63002-01	Drain plug O-ring	1
30A	63010-01	Seal Plate O-ring	1
30B	63010-02	Seal Plate	1
31	63009-01	Shaft seal	1
32	63041-01	Capacitor for 1.5 HP and 2 HP Pool Pumps (Single Speed)	1
33	63042-01	Capacitor for 1.5 HP and 2 HP Pool Pumps (Two Speed)	1
34	65034-01	Pump Main Wet-end Housing Only	1
35	63000-01	Pump Base	1
36A	63063-01	Union O-ring (Before serial number 19050)	1
36B	63063-2020	Union O-ring (After serial number 19050)	1
37	69000-01	Shut-Off Valve	1

Heat Pump Equipment

Keep water temperatures at the perfect level with a high-performance Heat Pump from Intermatic. Our ECO, Traditional and AHN Series solutions help homeowners extend the pool and spa season by providing reliable, energy-efficient temperature control.



Above-Ground Pools

The compact ECO Series offers performance and efficiency through its unique inverter technology. Automatic temperature-based adjustment and a twin rotary inverter compressor help reduce seasonal electrical costs by 30-50%.

Inground Pools

Heat inground pools of up to 45,000 gallons with our Traditional Series Heat Pumps. These workhorse solutions include a spiral titanium heat exchanger for improved efficiency and durability.

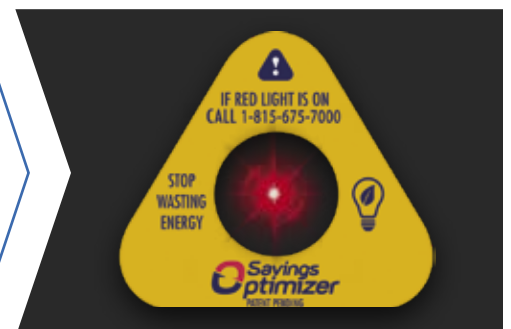


Spas

A simple digital interface with dual climate controls helps homeowners maintain the perfect water temperature in both pool and spa environments.

Automated Self-Diagnostics

Traditional and AHN models include self-diagnostic tools to monitor changes in performance and hydraulic levels, which helps lower operating costs and reduce maintenance issues.



Contents

Key Features.....	24
ECO Series.....	25
Traditional Series.....	26
AHN Series.....	27
Service Parts Breakdown.....	28-29

Additional Solutions and Resources

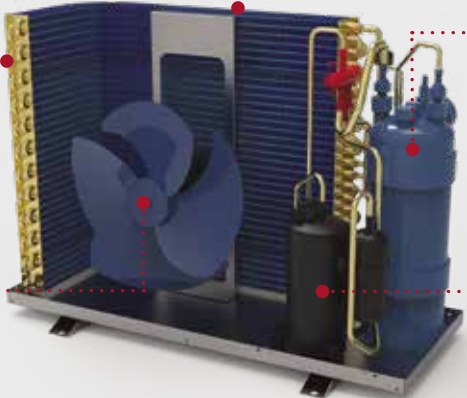
Ready to get started? Scan the QR code to the right to view additional product information and resources on Intermatic.com.



Key Features

Balancing energy efficiency and quiet performance, our heat pumps are built to limit maintenance issues and provide reliable temperature control.

ECO Series Inverter Heat Pumps



Stronger COP Than Standard Single-Speed Heat Pumps
Average seasonal COP of 8 (compared to standard 5 rating)


Superior Noise Reduction
40% quieter than standard Heat Pump technology

Durable UV-Resistant Condenser Design
Fade-proof thermoplastic housing protects from rust and impact damage

Spiral Titanium Tube Heat Exchanger
Unique design increases surface area by 30%, promoting efficiency and durability

Twin Rotatory Inverter Compressor
30-50% Reduction in the seasonal electrical cost

Traditional and AHN Series Heat Pumps



Automated Self-Diagnostics
Built-in patented self-diagnostic indicator helps save energy and extends the unit's service life by alerting users to abnormal operating conditions such as low water flow due to a dirty filter

Chiller Technology
Available with reversing valve functionality, which automatically heats or cools the pool to the desired temperature

Durable UV-Resistant Condenser Design
Fade-proof thermoplastic housing protects from rust and impact damage

Standard PVC Unions
2" Plumbing connections for easy installation

Automation Ready
Compatible with remote system controllers

Reliable Long-lasting Copeland™ Scroll Compressor
Ultra-quiet design minimizes operating noise

Titanium Heat Exchanger
Includes vexed commercial-grade, corrosion-resistant titanium heat exchanger that stands up to the pool's chemical products

Inverter Heat Pumps

ECO SERIES

Prioritize efficiency when heating your pool with an ECO Series Inverter Heat Pump from Intermatic. At startup, the ECO inverter will run at full capacity to rapidly heat the pool. Once the heater reaches the desired temperature, it will automatically begin to reduce its speed and make adjustments to maintain the correct water temperature, saving money in energy costs. The ECO Series is designed to accommodate above-ground pools of up to 24,000 gallons and includes a digital temperature control for added convenience.

Applications

- Above-ground Pools

Features

- Energy-efficient inverter compressor technology - 50% Higher energy savings (average COP 8 at 50% capacity)
- The rifled titanium tube heat exchanger increases the surface area by 30% and stands up to the pools chemical products
- Includes built-in Soft Start technology. When the heat pump turns on, the current gradually increases to the rated running current in under 2 minutes, limiting the large initial inrush current often associated with motor start-up. This avoids putting extra demand on home electrical systems and appliances, compared to traditional heat pumps, which start at high currents and have higher energy consumption.
- Small footprint - Ideal for compact space
- AHRI Certified for performance
- C.O.P. level as high as 13.6 when the Heat Pump is in maintain mode
- Twin rotary DC inverter compressor reduces vibration for super quiet operation
- 40% quieter than standard Heat Pump scroll compressor technology. Sound level as low as 36dB when maintaining pool temperature.
- Durable UV-resistant condenser unit design
- Fadeproof thermoplastic housing protects from rust and impact damage



Model #	ECO550	ECO900
Pools up to (Gallons)	16,000	24,000
Recommended Circuit Breaker	30 A	30 A
Operating Current	15.5 A	26 A
Recommended Water Flow Rate	25-40 GPM	33-50 GPM
Input Voltage	208-230 VAC	208-230 VAC
Refrigerant	R410A	R410A
Compressor Type	Inverter	Inverter
Heat Exchanger	Titanium	Titanium
Temperature Control	Digital	Digital
Remote Compatibility	2 Wire	2 Wire
Warranty (Continental US)		
Parts	2-Year limited	2-Year limited
Labor	1-Year limited	1-Year limited
Compressor	2-Year limited	2-Year limited
Heat Exchanger	5-Year limited	5-Year limited

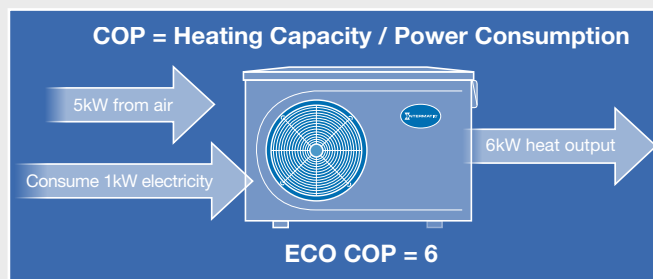


Digital Control
LCD Display

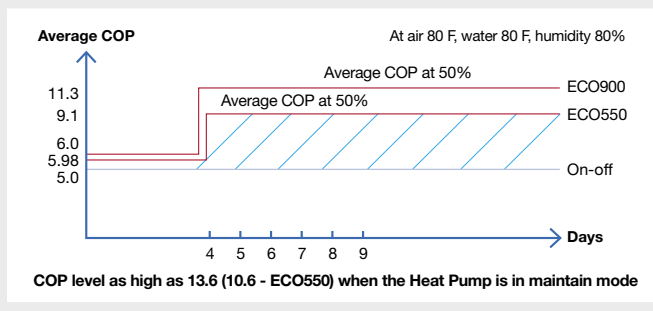
ECO550

What is the Coefficient of Performance (COP) and how does it affect operating costs?

In heat pumps and related systems, the Coefficient of Performance or COP refers to the ratio of heat delivered compared to the amount of energy required to produce that heat. A high COP indicates that a system is operating efficiently. In practice, the higher a heat pump's COP is, the less it will cost to operate.



50% Higher Energy Savings



Performance Testing Results*

Model #	COP ¹	Output ¹ (BTUs)	COP ²	Output ² (BTUs)	COP ³	Output ³ (BTUs)
ECO550	5.9	50,000	5.5	47,000	4.1	29,000
ECO900	6	90,000	5.7	85,000	4.3	43,000

*BTU and COP ratings in accordance with AHRI 1160 Performance Test Standard

¹ Test Conditions: 80° F ambient air, 80° F water, 80% Relative Humidity

² Test Conditions: 80° F ambient air, 80° F water, 63% Relative Humidity

³ Test Conditions: 50° F ambient air, 80° F water, 63% Relative Humidity



PRO1500QHC

Heat Pumps TRADITIONAL SERIES

Extend the swimming pool and spa season with a Traditional Series Heat Pump from Intermatic. These high-efficiency solutions are designed for long-lasting performance in above-ground, inground pool and spa applications. Included features like the heat pump's digital thermostat, titanium heat exchanger, UV-resistant housing, and self-diagnostic tool help lower operating costs and reduce maintenance issues. Select Traditional Series models can also be used for cooling, which is ideal in extreme heat conditions. All models offer a patented self-diagnostic indicator, robust titanium heat exchanger as well as an easy-to-use digital thermostat.

Applications

- Above-ground and inground pool and spa

Features

- Includes vexed commercial-grade, corrosion-resistant titanium heat exchangers
- Built-in diagnostic indicator light alerts users to abnormal operating conditions, extending the unit's service life while reducing operating costs and service calls
- Energy efficient heat pump technology
- Chiller technology - Available with reversing valve functionality that can automatically heat or cool your pool to the desired temperature*
- AHRI Certified for performance
- High temperature lock out feature
- Reliable long-lasting Copeland Scroll Compressor
- Automation ready – compatible with remote system controllers
- Built-in quiet fan technology promotes low operating noise
- Durable UV-resistant condenser unit design. Fadeproof thermoplastic housing protects from rust and impact damage

*On select models



Dual Climate Controls
Digital interface allows for two separate temperature settings (pool/spa)

Performance Testing Results*

Model #	COP ¹	Output ¹ (BTUs)	COP ²	Output ² (BTUs)	COP ³	Output ³ (BTUs)
PRO1100Q	5.5	110,000	5.3	104,000	4	74,000
PRO1300Q	5.8	127,000	5.3	118,000	4	79,000
PRO1300QHC	5.8	127,000	5.2	118,000	4	79,000
PRO1500Q	5.6	140,000	5.3	130,000	4	84,000
PRO1500QHC	5.6	140,000	5.3	130,000	4	84,000

*BTU and COP ratings in accordance with AHRI 1160 Performance Test Standard

¹ Test Conditions: 80° F ambient air, 80° F water, 80% Relative Humidity

² Test Conditions: 80° F ambient air, 80° F water, 63% Relative Humidity

³ Test Conditions: 50° F ambient air, 80° F water, 63% Relative Humidity

Model #	PRO1100Q	PRO1300Q	PRO1300QHC	PRO1500Q	PRO1500QHC
Includes Cooling	No	No	Yes	No	Yes
Pools up to (Gallons)	28,000	35,000	35,000	45,000	45,000
Recommended Circuit Breaker	40 A	50 A	50 A	50 A	50 A
Operating Current	26 A	29 A	29 A	32 A	32 A
Minimum Water Flow Rate	25 GPM	25 GPM	25 GPM	25 GPM	25 GPM
Maximum Water Flow Rate	80 GPM	80 GPM	80 GPM	80 GPM	80 GPM
Recommended Water Flow Rate	45-55 GPM	45-60 GPM	45-60 GPM	50-65 GPM	50-65 GPM
Input Voltage	208-230 VAC	208-230 VAC	208-230 VAC	208-230 VAC	208-230 VAC
Refrigerant	R410A	R410A	R410A	R410A	R410A
Compressor Type	Scroll	Scroll	Scroll	Scroll	Scroll
Heat Exchanger	Titanium	Titanium	Titanium	Titanium	Titanium
Temperature Control	Digital	Digital	Digital	Digital	Digital
Remote Compatibility	2 & 3 Wire	2 & 3 Wire	2 & 3 Wire	2 & 3 Wire	2 & 3 Wire
Warranty (Continental US)					
Parts	2-Year limited	2-Year limited	2-Year limited	2-Year limited	2-Year limited
Labor	1-Year limited	1-Year limited	1-Year limited	1-Year limited	1-Year limited
Compressor	5-Year limited	5-Year limited	5-Year limited	5-Year limited	5-Year limited
Heat Exchanger	Lifetime limited	Lifetime limited	Lifetime limited	Lifetime limited	Lifetime limited
Warranty (Florida)					
Parts	7-Year limited	7-Year limited	7-Year limited	7-Year limited	7-Year limited
Labor	2-Year limited	2-Year limited	2-Year limited	2-Year limited	2-Year limited
Compressor	5-Year limited	5-Year limited	5-Year limited	5-Year limited	5-Year limited
Heat Exchanger	Lifetime limited	Lifetime limited	Lifetime limited	Lifetime limited	Lifetime limited

Heat Pumps

AHN SERIES

Enjoy perfect water temps all season long by installing an AHN Series Heat Pump from Intermatic. These durable, high-performance solutions are automation-ready and offer an ultra-quiet design. AHN Series Heat Pumps can be used in above-ground, inground, and spa applications, with a maximum capacity of up to 35,000 gallons. Like the Traditional Series, select AHN models provide cooling functionality. All models offer a patented self-diagnostic indicator, robust titanium heat exchanger as well as an easy-to-use digital thermostat.

Applications

- Above-ground and inground pool and spa

Features

- Includes vexed commercial-grade, corrosion-resistant titanium heat exchangers
- Built-in patented self-diagnostic indicator light alerts users to abnormal operating conditions, extending the unit's service life while reducing operating costs and service calls
- Energy efficient heat pump technology
- Chiller technology - Available with reversing valve functionality that can automatically heat or cool your pool to the desired temperature*
- AHRI Certified for performance
- High temperature lock out feature
- Reliable long-lasting Copeland Scroll Compressor
- Automation ready – compatible with remote system controllers
- Built-in quiet fan technology promotes low operating noise
- Durable UV-resistant condenser unit design. Fadeproof thermoplastic housing protects from rust and impact damage

*On select models



PRO1400AHN

Model #	PRO1100AHN	PRO1100ARN	PRO1400AHN	PRO1400ARN
Includes Cooling	No	Yes	No	Yes
Pools up to (Gallons)	28,000	28,000	35,000	35,000
Recommended Circuit Breaker	40 A	40 A	50 A	50 A
Operating Current	26 A	26 A	29 A	29 A
Minimum Water Flow Rate	25 GPM	25 GPM	25 GPM	25 GPM
Maximum Water Flow Rate	80 GPM	80 GPM	80 GPM	80 GPM
Recommended Water Flow Rate	45-55 GPM	45-55 GPM	45-60 GPM	45-60 GPM
Input Voltage	208-230 VAC	208-230 VAC	208-230 VAC	208-230 VAC
Refrigerant	R410A	R410A	R410A	R410A
Compressor Type	Scroll	Scroll	Scroll	Scroll
Heat Exchanger	Titanium	Titanium	Titanium	Titanium
Temperature Control	Digital	Digital	Digital	Digital
Remote Compatibility	2 & 3 Wire	2 & 3 Wire	2 & 3 Wire	2 & 3 Wire
Warranty (Continental US)				
Parts	2-Year limited	2-Year limited	2-Year limited	2-Year limited
Labor	1-Year limited	1-Year limited	1-Year limited	1-Year limited
Compressor	5-Year limited	5-Year limited	5-Year limited	5-Year limited
Heat Exchanger	Lifetime limited	Lifetime limited	Lifetime limited	Lifetime limited
Warranty (Florida)				
Parts	7-Year limited	7-Year limited	7-Year limited	7-Year limited
Labor	2-Year limited	2-Year limited	2-Year limited	2-Year limited
Compressor	5-Year limited	5-Year limited	5-Year limited	5-Year limited
Heat Exchanger	Lifetime limited	Lifetime limited	Lifetime limited	Lifetime limited



Dual Climate Controls

Digital interface allows for two separate temperature settings (pool/spa)

Performance Testing Results*

Model #	COP ¹	Output ¹ (BTUs)	COP ²	Output ² (BTUs)	COP ³	Output ³ (BTUs)
PRO1100AHN	5.5	110,000	5.3	104,000	4	74,000
PRO1100ARN	5.5	110,000	5.3	104,000	4	74,000
PRO1400AHN	5.8	127,000	5.3	118,000	4	79,000
PRO1400ARN	5.8	127,000	5.2	118,000	4	79,000

*BTU and COP ratings in accordance with AHRI 1160 Performance Test Standard

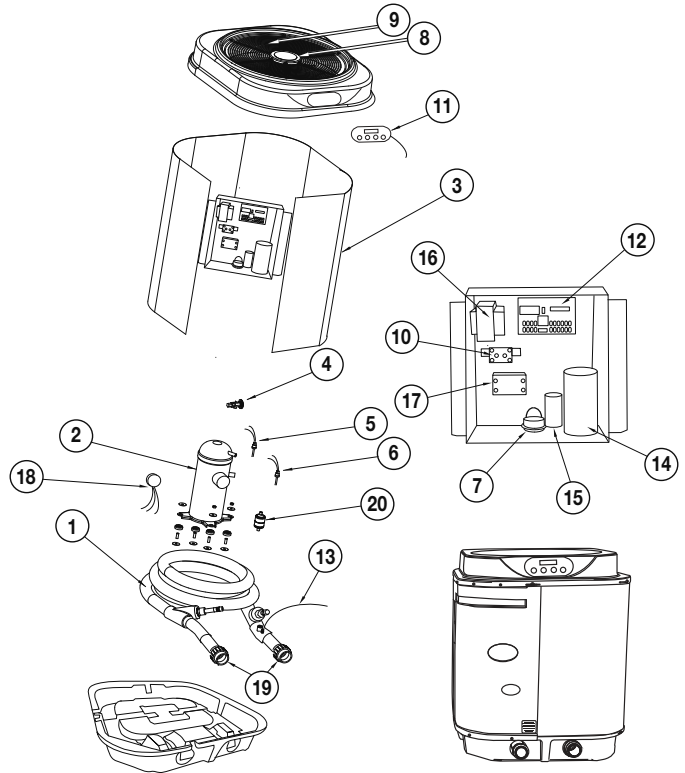
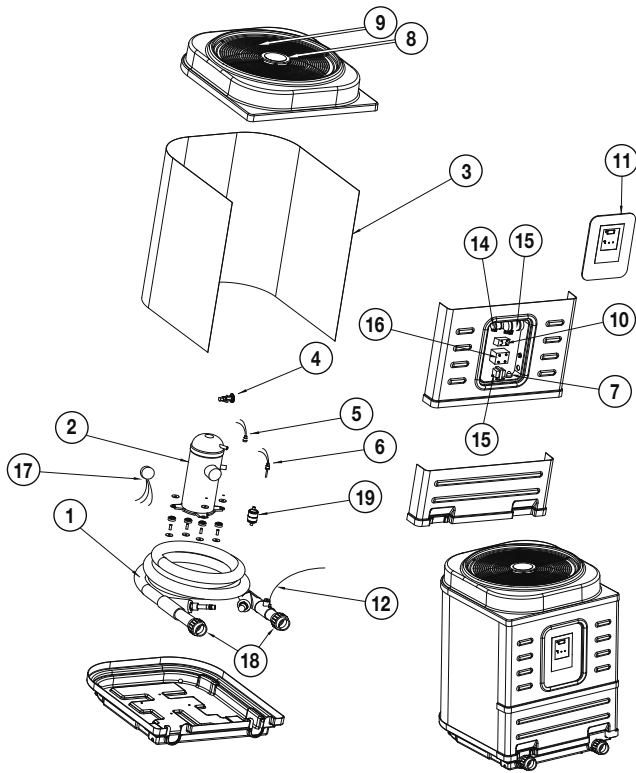
¹ Test Conditions: 80° F ambient air, 80° F water, 80% Relative Humidity

² Test Conditions: 80° F ambient air, 80° F water, 63% Relative Humidity

³ Test Conditions: 50° F ambient air, 80° F water, 63% Relative Humidity

Heat Pumps

Traditional Series and AHN Series Service Parts Breakdown

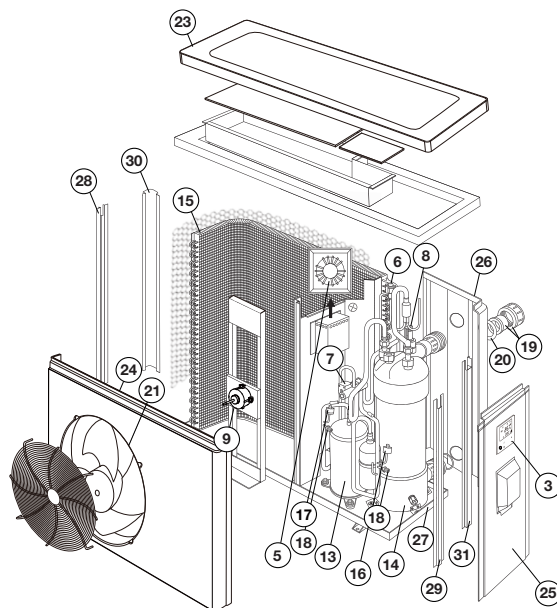
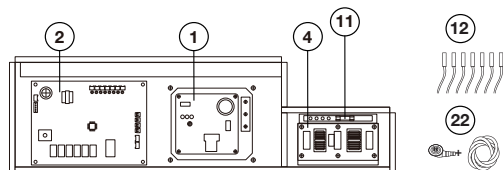


TRADITIONAL SERIES SERVICE PARTS BREAKDOWN

Ref #	Part Number	Description	Quantity
1	GRPEHE25	Heat exchanger	1
1a	GRPEHE30	Heat exchanger	1
2	GRP11CMP410130	Compressor	1
2a	GRP13CMP410130	Compressor	1
3	Call Tech Support	Evaporator coil	1
4	GRP11TXV410	Thermal expansion valve	1
4a	GRP13TXV410	Thermal expansion valve	1
5	GRPHPS410B	High pressure switch	1
6	GRPLPS410B	Low pressure switch	1
7	GRPWPS	Water pressure switch	1
8	GRP681113FM	Fan motor	1
9	GRP681113FB	Fan blade (110,000 BTU)	1
9a	GRPQFB	Fan blade (127,000 BTU)	1
10	GRPFR	Fan relay	1
11	30255-T01	LED board	1
11a	GRPAHNOVLA	Overlay	1
11b	GRPAHCONBRDIN	Internal Board	1
11c	CAT5-1FT	1 Foot CAT Cable	1
12	GRP10KDI	5K Thermistors (water in & defrost sensor)	2
13	GRP80CAP	Compressor capacitor	1
14	GRP7.5CAP	Fan capacitor	1
15	16021-HT1	Transformer	1
16	GRPCONT	Contactator	1
17	GRPCOPECMPLG	Compressor power cord	1
18	GRPUNION	Water in & out unions	2
19	GRP1113FD	Filter drier	1

AHN SERIES SERVICE PARTS BREAKDOWN

Ref #	Part Number	Description	Quantity
1	GRPAHHE30	Heat exchanger	1
1a	GRPAHHE25	Heat exchanger	1
1b	GRP8AHHE	Heat exchanger	1
2	GRP13CMP410130	Compressor	1
2a	GRP11CMP410130	Compressor	1
3	Call Tech Support	Evaporator coil	1
4	GRP13TXV410	Thermal expansion valve	1
4a	GRP11TXV410	Thermal expansion valve	1
5	GRPHPS410B	High pressure switch	1
6	GRPLPS410B	Low pressure switch	1
7	GRPWPS	Water pressure switch	1
8	GRP681113FM	Fan motor	1
9	GRP681113FB	Fan blade	1
9a	GRPQFB	Fan blade	1
10	GRPFR	Fan relay	1
11	GRPBLANKEXTCONT-BRDASBLY	Touch button external control board	1
12	GRPAHCONBRDIN	Internal control board	1
13	GRP10KDI	10K Thermistors (water in & defrost sensor)	2
14	GRP80CAP	Compressor capacitor	1
15	GRP7.5CAP	Fan capacitor	1
16	16021-HT1	Transformer	1
17	GRPCONT	Contactator	1
18	GRPCOPECMPLG	Compressor power cord	1
19	GRPUNION	Water in & out unions	2
20	GRP1113FD	Filter drier	1



ECO550 SERIES SERVICE PARTS BREAKDOWN

Ref #	Part Number	Description	Quantity
1	GRPINVBRDECO550	Inverter board	1
2	GRPPCBOARDECO550	PC board (heat)	1
3	GRPCONTRECO550	Touch controller	1
4	GRPPFPECO550	Power filter plate	1
5	Call for availability	Reactor	1
6	GRPTXVECO550	Electronic expansion valve	1
7	GRPRESVALVECO550	4-way valve	1
8	GRPWFSECO550	Water flow switch	1
9	GRPFMECO550	Fan motor	1
11	GRPFUSECO550	Fuse	1
12	GRPTSECO550	Full set of sensors	1
13	GRPCOMPECO550	Compressor	1
14	GRPHEECO550	Titanium heat exchanger (heat)	1
15	GRPECECO550	Evaporator	1
16	GRPHPSECO550	High pressure protection switch	1
17	GRPLPSECO550	Low pressure protection switch	1
18	GRPSRVALVECO	High & low pressure valve	1
19	GRPUNIONECO550	Water union	1
20	Call for availability	Water union gasket	1
21	GRPFBECO550	Fan	1
22	GRPDRAINITECO550	Drainage kit	1
23	Call for availability	Top cover	1
24	Call for availability	Front panel	1
25	Call for availability	Right up panel	1
26	Call for availability	Back panel	1
27	Call for availability	Bottom board	1
28	Call for availability	Front left pole	1
29	Call for availability	Front right pole	1
30	Call for availability	Back left pole	1
31	Call for availability	Back right pole	1

ECO900 SERIES SERVICE PARTS BREAKDOWN

Ref #	Part Number	Description	Quantity
1	GRPINVBRDECO900	Inverter board	1
2	GRPPFPECO900	PC board (heat)	1
3	GRPINVBRDECO900	Touch controller	1
4	GRPPFPECO900	Power filter plate	1
5	Call for availability	Reactor	1
6	GRPRESVALVECO900	Electronic expansion valve	1
7	GRPRESVALVECO900	4-way valve	1
8	Call for availability	Water flow switch	1
9	Call for availability	Fan motor	1
11	Call for availability	Fuse	1
12	Call for availability	Full set of sensors	1
13	GRPCOMPECO900	Compressor	1
14	GRPHEECO900	Titanium heat exchanger (heat)	1
15	Call for availability	Evaporator	1
16	Call for availability	High pressure protection switch	1
17	Call for availability	Low pressure protection switch	1
18	Call for availability	High & low pressure valve	1
19	Call for availability	Water union	1
20	Call for availability	Water union gasket	1
21	Call for availability	Fan	1
22	Call for availability	Drainage kit	1
23	Call for availability	Top cover	1
24	Call for availability	Front panel	1
25	Call for availability	Right up panel	1
26	Call for availability	Back panel	1
27	Call for availability	Bottom board	1
28	Call for availability	Front left pole	1
29	Call for availability	Front right pole	1
30	Call for availability	Back left pole	1
31	Call for availability	Back right pole	1

Spa Air Blower Equipment

Enhance the spa experience with our ultra-quiet spa air blowers. These low-noise solutions use advanced technology to create a relaxing spa atmosphere.



Powerful Airflow

Designed with a high-performance, thermally protected motor (up to 2 HP), the Silent Twister Series is engineered to maximize airflow in cubic feet per minute. This allows for optimal bubbling while still maintaining efficiency.

Quiet Design

An insulated capsule helps the Silent Twister Series mitigate operating noise, even at peak capacity, while delivering superior performance. For homeowners, this translates to a virtually silent spa experience with refreshing and powerful airflow.



Rugged Construction

The reinforced thermoplastic shell of all Intermatic spa air blowers helps extend each unit's service life and stand up to outdoor conditions. An included heavy-duty mounting bracket allows for secure placement in multiple applications.

Optional Switch

An optional switch makes it easy for pool and spa owners to turn the spa air blower ON and OFF manually.



Contents

Silent Twister Series	32
Blower Service Parts Breakdown	33

Additional Solutions and Resources

Ready to get started? Scan the QR code to the right to view additional product information and resources on **Intermatic.com**.





PRO1502403

Spa Air Blowers

SILENT TWISTER SERIES

Enhance the spa experience with our ultra-quiet spa air blowers. These low-noise solutions use advanced technology to maximize bubbling and create a relaxing spa atmosphere.

Applications

- Spa air blowers

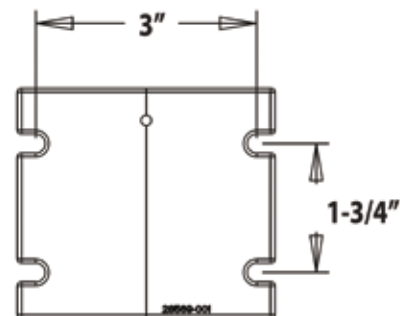
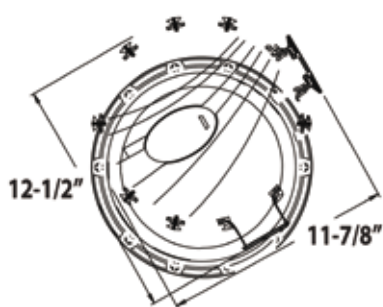
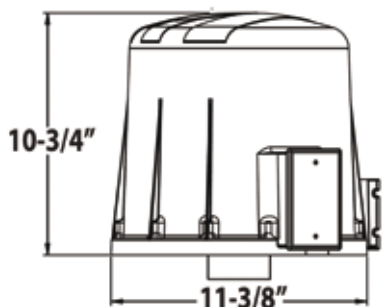
Features

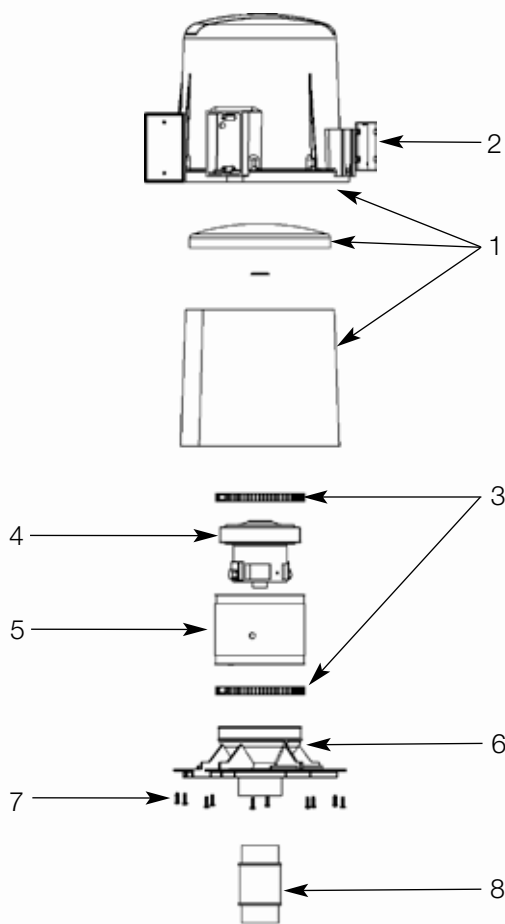
- Superior performance with a fraction of the noise (low dBA)
- Durable spring check valve included
- Heavy-duty thermally protected motor
- Heavy-duty mounting bracket
- Rugged reinforced thermoplastic construction for long life
- Quick and simple installation
- Durable 1-1/2" - 2" check valve included
- Engineered to maximize airflow in cubic feet per minute
- Meets and exceeds UL safety standards
- Insulated design for low noise



Model #	HP	Voltage	Phase	Airflow CFM	Operating Current	Warranty
With Switch						
PRO100120SW	1 HP	120 V	Single	114 CFM	11.2 A	1-Year limited
PRO1002403SW	1 HP	240 V		116 CFM	6 A	1-Year limited
PRO150120SW	1 1/2 HP	120 V		118 CFM	11.2 A	1-Year limited
PRO1502403SW	1 1/2 HP	240 V		122 CFM	6 A	1-Year limited
PRO200120SW	2 HP	120 V		122 CFM	11.2 A	1-Year limited
PRO2002403SW	2 HP	240 V		122 CFM	6 A	1-Year limited
Without Switch						
PRO100120	1 HP	120 V	Single	114 CFM	11.2 A	1-Year limited
PRO1002403	1 HP	240 V		116 CFM	6 A	1-Year limited
PRO150120	1 1/2 HP	120 V		118 CFM	11.2 A	1-Year limited
PRO1502403	1 1/2 HP	240 V		122 CFM	6 A	1-Year limited
PRO200120	2 HP	120 V		122 CFM	11.2 A	1-Year limited
PRO2002403	2 HP	240 V		122 CFM	6 A	1-Year limited

PRODUCT DIMENSIONS





SPA AIR BLOWER SERVICE PARTS BREAKDOWN

Reference #	Part #	Description	Qty
1	28554-001, 28558-001 & 28559-001	Blower Housing with Foam Inserts (Kit)	1
2	28569-001	Bracket	1
3	67111-001	Gear Clamp	2
4		Motor	1
	80001-002	1 HP, 120 V	
	80003-002	1 HP, 240 V	
	80001-003	1½ HP, 120 V	
	80002-002	1½ HP, 240 V	
	80001-003	2 HP, 120 V	
	80002-002	2 HP, 240 V	
5	15497-002	Sleeve	1
6	28555-001	Discharge Housing	1
7	67005-001	(10) 16 x 5/8" Plastic Screw	8
8	10116-001	Check Valve	1

Pool Pump Equipment

Keep pool systems flowing with our DOE-compliant variable-speed pump, two-speed pumps, and booster cleaner pumps. These solutions offer best-in-class technology and quiet performance.



Ultra-Quiet Performance

Keep water flowing without ruining the outdoor ambiance thanks to the ultra-quiet design of Intermatic pool pumps. This reduces nuisance issues and allows pool components to be placed adjacent to living areas and bedrooms, if necessary, without issue.

High-Efficiency Motor

All Intermatic pool pumps feature a Totally Enclosed Fan-Cooled (TEFC) motor, which allows for easier startup (self-priming) and enhanced energy efficiency. The enclosed design also promotes long-term performance, as motor components are protected from water, dust, and outdoor conditions.



Broad Applications

A variety of pump types and sizes makes it easy to select the pump that best fits your project's needs. Solutions can accommodate above-ground pools, soft-side pools, and inground pool (booster pump) applications.



Oversized Strainer Basket

An oversized, clear strainer basket on select models makes it easy for pool owners to spot minor maintenance issues and confirm the pump is functioning properly.



Contents

2-Speed Pumps	36
Variable Speed Pump	37
Service Parts Breakdown	38-39

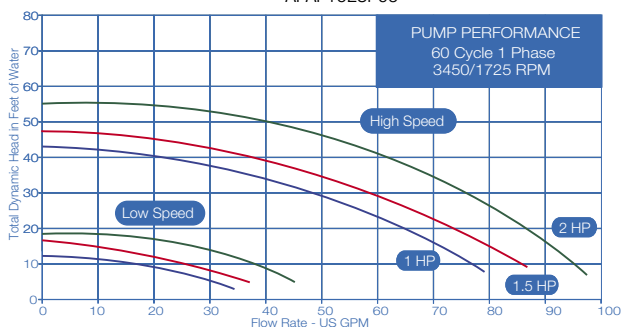
Additional Solutions and Resources

Ready to get started? Scan the QR code to the right to view additional product information and resources on **Intermatic.com**.





APAP152SP63



Model #	Description	Input Voltage	HP	RPM (min-max)	GPM	Operating Current (Low-High)	Cord Length	Warranty
APAP152SP63	1.5 HP 2-Speed Pool Pump, On/Off Switch, 6 ft Cord, Standard Plug	115 VAC	1 1/2	1725 - 3450	90	3.5 - 8.5	6' Cord with Standard Plug	1-Year limited
APAP152SP3T	1.5 HP 2-Speed Pool Pump, On/Off Switch, 3 ft Cord, Twistlock Plug	115 VAC	1 1/2	1725 - 3450	90	3.5 - 8.5	3' Cord with Twistlock Plug	1-Year limited
APAP202SP63	2 HP 2-Speed Pool Pump, On/Off Switch, 6 ft Cord, Standard Plug	115 VAC	2	1725 - 3450	100	3.5 - 10.5	6' Cord with Standard Plug	1-Year limited
APAP202SP3T	2 HP 2-Speed Pool Pump, On/Off Switch, 3 ft Cord, Twistlock Plug	115 VAC	2	1725 - 3450	100	3.5 - 10.5	3' Cord with Twistlock Plug	1-Year limited

2-Speed Pumps

PURFLO PUMP SERIES

Intermatic PURFLO two-speed DOE-compliant pool pumps feature a rugged TEFC motor and deliver energy-efficient performance. Ideal for above-ground pool installations, this durable solution is easy to maintain and offers homeowner-friendly features, like an integrated ON/OFF switch and a large strainer basket with see-through lid. Meeting all the needs of today's energy-conscious pool owners, PURFLO is built to stand up to the most demanding installations and conditions. Meanwhile, the TEFC motor design prevents water, dust, and other contaminants from entering and affecting the motor's operation and longevity.

Applications

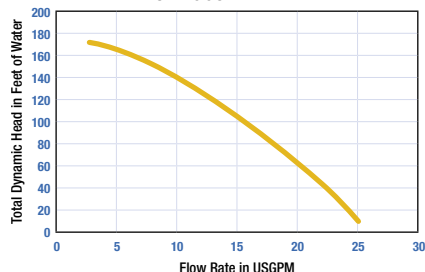
- Above-ground pools

Features

- Reduces electricity costs by approximately 50% by using half the amps on low-speed
- Totally Enclosed Fan-Cooled (TEFC) motor
- Self-priming for faster, more-efficient start-ups
- Quad seal motor design with layers of protection built in to ensure long pump life
- Large strainer basket with see-through lid
- Integrated ON/OFF Switch
- DOE Compliant
- Ultra-quiet operation
- Includes 6 ft cord with standard plug or 3 ft cord with twistlock plug
- Includes drain valve for easy maintenance



UNIBOOSTERAP



Booster Pump

UNI-BOOST SERIES

Keep your pressure side cleaner moving all season long with the 1.5 HP UNI-BOOST® Booster Pump by Intermatic. The DOE and Energy Star 3.0-compliant cleaner pump offers best-in-class technology and unparalleled quiet performance. In addition to its quiet design, the UNI-BOOST® Booster Pump with included hose kit delivers an extended motor life, which helps pool owners save money over the long run.

Applications

- Booster pumps for pressure side cleaners
- Inground pool booster pumps

Features

- 5-Stage impeller generates optimal water pressure while reducing costs
- Totally Enclosed Fan-Cooled (TEFC) motor
- Robust 1.5 HP motor delivers powerful cleaning performance
- Includes 6' hose kit with 1" and 3/4" universal fittings-promotes better flow
- Includes large easy-access electrical compartment for easy 120 V or 240 V wiring
- DOE Compliant
- Energy Star V3.0 compliant

Model #	Description	Input Voltage	HP	RPM (max)	GPM	Operating Current (Low-High)	Warranty
UNIBOOSTERAP	1.5 HP Booster Pump Multi-stage impeller technology, 230/115 VAC, 60 Hz	120/240 VAC	1 1/2	3450	25	3.5 - 5.8 (230 V) 11.6 (120 V)	1-Year limited

Variable Speed Pool Pump
APEX SERIES

The Intermatic APEXVS165 is a premium efficiency variable-speed motor that provides tremendous program flexibility in terms of motor speed and time settings. The variable-speed pump is intended to enable running at the lowest speeds needed to maintain a sanitary environment, which in turn minimizes energy consumption.

Applications

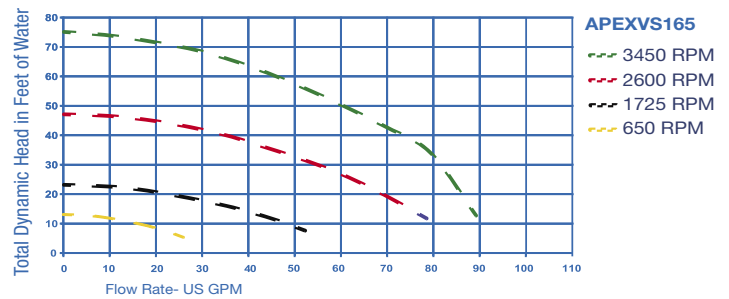
- Above-ground Pool and Spa, Water features, Laminars

Features

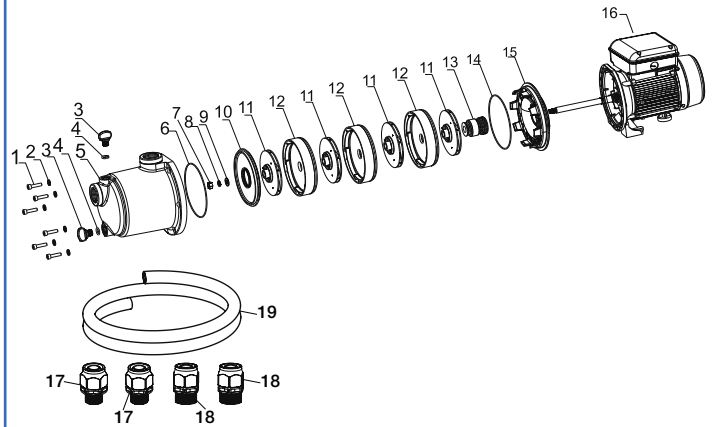
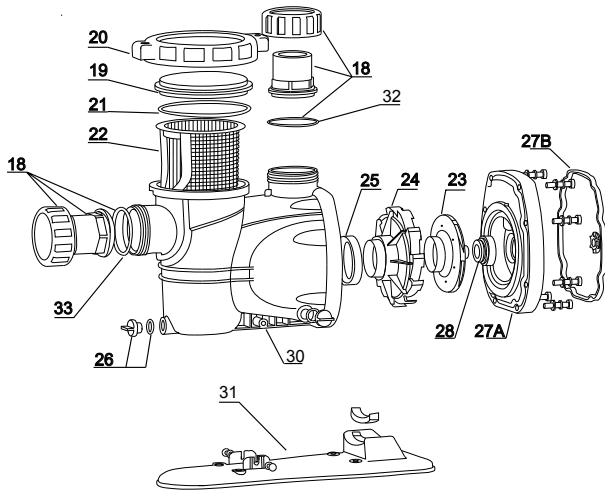
- Premium-Efficiency Variable-Speed Motor. Speeds ranging between 600 and 3450 RPM
- Totally Enclosed Fan-Cooled (TEFC) motor
- Self-Priming for faster, easier start-up
- User-friendly design allows for quick servicing and maintenance - remove the wet end of the pump from the dry end without tools
- Integrated electronics interface controls the speed settings as well as the run durations with battery backup to store time setting
- Over-sized strainer basket with with see-through lid
- Integrated Freeze protection
- Drain valve for easy maintenance
- Comes with universally compatible NPT union fittings for easy retrofits and installations
- DOE Compliant
- Adjust motor speed in 25 RPM increments
- Digital inputs for compatibility with pool automation systems
- Chemical-resistant Viton™ seal provides exceptional durability for long a pump life



APEXVS165



Model #	Description	Input Voltage	HP	RPM (min-max)	GPM	Operating Current (High)	Warranty
APEXVS165	1.65 HP Variable Speed Pool Pump, 208/230 VAC	208/230 VAC	1.65	600 - 3450	100	10 (230 V) 10.5 (208 V)	3-Year limited

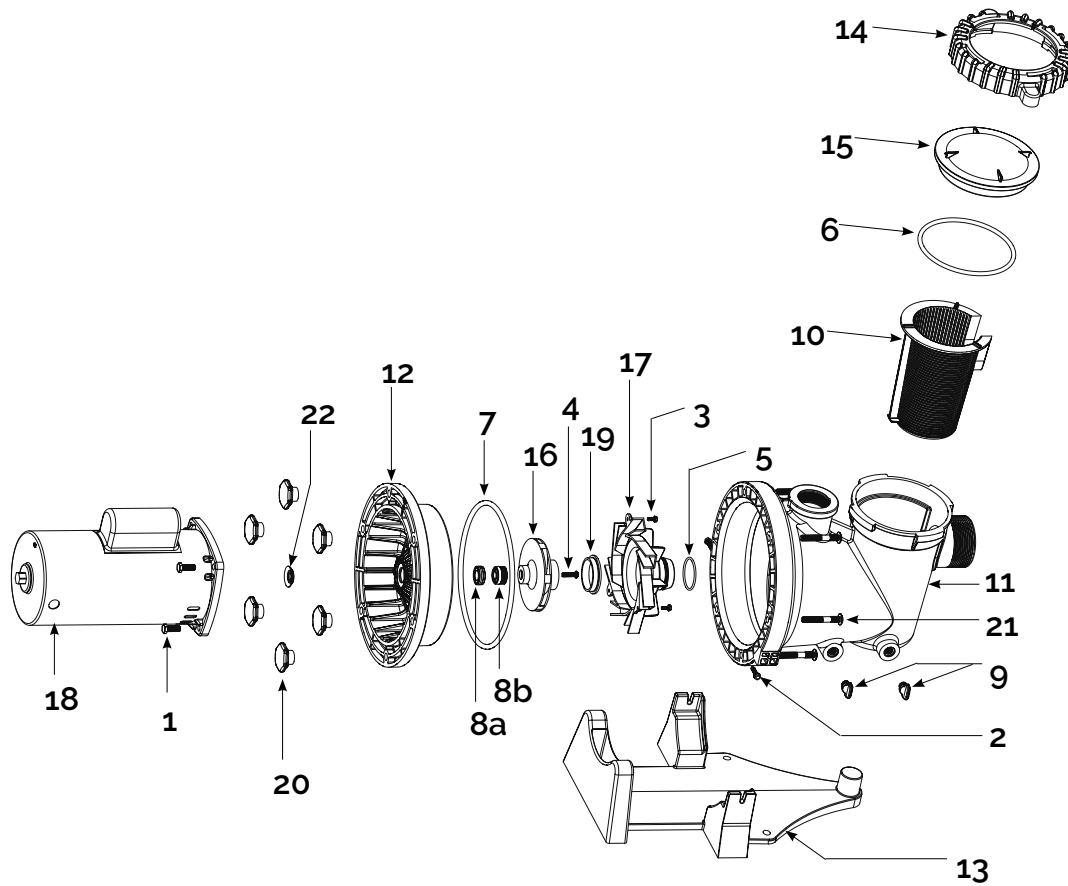


PUREFLO SERIES SERVICE PARTS BREAKDOWN

Ref #	Part #	Description	Qty
18A	63061-01	Union Adapter Kit to 1-1/2" F NPT with a serial number before 19050	2
18B	63061-2020	Union Adapter Kit to 1-1/2" F NPT with a serial number of 19050 and after.	2
19	63057-01	Clear Basket Cover	1
20	63056-01	Basket Locking Ring	1
21	63059-01	Filter Basket Lid O-Ring	1
22	63058-01	Filter Basket	1
23A	63008-01	Impeller (0.75 HP & 1.0 HP)	1
23B	63008-02	Impeller (1.5 HP & 2 HP)	1
24A	63007-01	Diffuser (0.75 HP & 1.0 HP)	1
24B	63007-02	Diffuser (1.5 HP & 2 HP)	1
25	63006-01	Diffuser Seal	1
26A	63001-01	Drain Plug	1
26B	63002-01	Drain Plug with O-Ring Only	1
27A	63003-01	Seal Plate	1
27B	63010-01	Seal Plate O-Ring	1
28	63009-01	Shaft Seal	1
29A	63040-01	Motor Capacitor (0.75 HP & 1.0 HP) 30 uf	1
29B	63041-01	Motor Capacitor (1.5 HP & 2 HP) 35 uf	1
29C	63042-01	Motor Capacitor (1.5HP & 2 HP 2 - Speed pumps)	1
30	65034-01	Pump Main Wet-End Housing Only	1
31	63000-01	Pump Base	1
32A	63063-01	Union Adapter Kit O-Ring only for pumps with a serial number before 19050	1
32B	63063-2020	Union Adapter Kit O-Ring only for pumps with a serial number of 19050 and after	1

UNIBOOSTERAP SERIES PARTS BREAKDOWN

Ref #	Part #	Description
1	Call for Availability	Hexagon Socket Head Cap Screw
2	Call for Availability	Washer
3	Call for Availability	Plug
4	14421	Drain Plug O-Ring
5	55001-001	Pump Casing
6	Call for Availability	O-Ring
7	Call for Availability	Hexagon Nut
8	Call for Availability	Spring Washer
9	Call for Availability	Washer
10	Call for Availability	Guide Vane Cover
11	55002-001	Impeller
12	Call for Availability	Middle Section
13	55003-001	Mechanical Seal
14	Call for Availability	O-Ring
15	Call for Availability	Pump Cover
16	55004-001	Motor
Replacement Parts		
17	55005-001	3/4" M NPT Quick Connect Hose
18	55006-001	1" M NPT Quick Connect Hose
19	55007-001	Reinforced 6' Hose
	55008-001	Quick Connect Installation Kit
	55010-001	Motor Capacitor (50 ± 5%)



APEX SERIES PARTS BREAKDOWN

Ref #	Part #	Description	Qty
1	4383	Machine Screw 3/8-16 x 100 UNC 2A	4
2	4951	Base Screw	2
3	08831	Machine Screw 10 - 32 x 1/2 UNC 2A	3
4	14052	Machine Screw 1/4 - 20 x 1 UNC 2A Left Handed	1
5	19014-001	Diffuser O-Ring	1
6	19084-001	Strainer Basket O-Ring	1
7	19087-002	Housing O-Ring	1
8	21212-AOPI	Seal Stationary & Bellow Assembly	1
9	14421	Drain Plug	2
10	28570-001	Filter Basket	1
11	28571-002	Pump Housing	1
12	28572-001	Seal Plate	1
13	28573-001	Pool Pump Base	1
14	29595-001	Locking Ring	1
15	29596-001	Clear Basket Cover	1
16	29859-001	1- 1/2 HP Impeller (59927-XXXX)	1
17	29863-001	Diffuser 7 Vane (59927-XXXX)	1
18	32199-001	Replacement Motor for APEX Series 165 HP Variable Speed Pool Pump	1
19	46066-001	Floater Wear Ring	1
20	67121-001	Knob	6
21	67122-001	Rib Neck Bolts	6
22	Included with Motor	Slinger	
Replacement Parts			
6 & 7	69013-001	Seal Kit	1
7, 8 & 12	69027-001	Seal Plate Kit	

Cover Pump Equipment

Quickly and efficiently remove excess water from any pool cover with our submersible pool cover pumps. These solutions connect to a standard garden hose and are simple for homeowners to operate.



High-Flow Output

Select models can pump up to 3,000 GPH, making these solutions an ideal choice for above-ground, inground, and general water removal applications.

Stable Design

WATERSPIDER® Series solutions include a unique multi-legged design that promotes stability and performance. All models provide a 25 ft cord and top handle for ease of use and mobility.



Universal Connections

All Intermatic pool cover pumps use a standard 3/4" garden hose connection. This makes it easy for homeowners and professionals to attach the pump in any residential setting.

Surface-Level Drainage

Use Intermatic cover pumps to prep for pool season and prevent accumulated water from damaging covers in the off-season. Select models are capable of draining water down to the surface.



Contents

WATERSPIDER® Series	42
G Series	43

Additional Solutions and Resources

Ready to get started? Scan the QR code to the right to view additional product information and resources on [Intermatic.com](https://www.intermatic.com).





APSPIDER400

400 GPH Cover Pumps

WATERSPIDER® SERIES

Blending performance and stability, our submersible WATERSPIDER Series Pool Cover Pumps remove water down the surface using a unique multi-legged design. Suited for both above-ground and inground pool covers, these solutions pump an impressive 400 gallons per hour, allowing for quick removal of accumulated water in a wide range of applications. All WATERSPIDER Series solutions include an easy-to-clean mesh intake screen for added convenience and connect using a standard garden hose.

Applications

- Above-ground, inground pool and spa, and general water removal

Features

- Unique "spider legs" base design promotes pump stability
- Includes reusable mesh intake screen to limit blockages
- Optimal auto-switch mode for automatic operation (APSPIDER400A)
- Removes water down to surface
- Easily attaches to a standard 3/4" garden hose connection



Model #	Volts	Amp	Gallons Per Hour (GPH)	HP	Auto Turn On Design	Submersible	Auto On and Off	Auto Tun On Level	Drain Down Level	Check Valve	NPD Discharge	Leaf Screen	Gord Length	Warranty
APSPIDER400	120 VAC, 60 Hz	0.4	400	2/5	–	Yes	No	–	Surface	No	3/4"	Yes	25 ft	1-Year limited
APSPIDER400A	120 VAC, 60 Hz	0.4	400	2/5	Mechanical float switch	Yes	Yes	1/16"	Surface	No	3/4"	Yes	25 ft	1-Year limited

High Flow Cover Pumps
G SERIES

G Series automatic pool cover pumps automatically remove accumulated water from the top of pool covers and most areas that accumulate standing water and discharge it from a hose fitting. This prevents water from becoming too heavy and straining/damaging the pool cover. All G Series solutions are constructed of durable thermoplastic for years of trouble-free service and can be used with above-ground or inground pool covers. APC4000A and APC2000 models pump an impressive 3,000 and 1,750 gallons per hour, respectively, and easily attach to a standard garden hose.

Applications

- Above-ground, inground pool and spa, and general water removal

Features

- Submersible cover pumps easily attach to a standard 3/4" garden hose connection
- Top side carrying handle allows for easy placement
- Includes 1-1/4" adapter
- A removable leaf disk and stable base with rollers makes it easy for users to move the pump around the pool cover using a rope (APC4000A)
- Automatic switch design with no moving parts for effortless activation with (APC4000A)
- Small base fits into 8" sump pump traps (APC2000)
- Vertical discharge with multiple connections for easy setup at job sites (APC2000)



APC4000A



APC2000



Model #	Volts	Amps	Gallons Per Hour (GPH)	HP	Auto Turn On Design	Submersible	Auto On and Off	Auto Turn On Level	Drain Down Level	Check Valve	NPD Discharge	Leaf Screen	Cord Length	Warranty
APC2000	120 VAC, 60 Hz	2.2	1750	1/6	–	Yes	No	–	1/4"	No	3/4"	Yes	25 ft	1-Year limited
APC4000A	120 VAC, 60 Hz	3	3000	1/4	Probes	Yes	Yes	2"	1/2"	Yes	3/4"	Yes	25 ft	2-Year limited



PREPARE FOR COLDER WEATHER

Scan the QR code below and prepare for winter with our end-of-season pool and spa checklist.



Coming Soon

Stay tuned for a wave of new and exciting solutions from Intermatic. We're adding to our growing portfolio of pool and spa solutions and essential equipment with innovative new products that streamline maintenance and bring convenience to homeowners with smart technology.



Optimizer Automation

Tailor pool equipment and lighting schedules to promote efficiency and convenience via the Optimizer app, available for iOS and Android devices.

Salt Chlorine Generator

Intermatic salt chlorinators are designed to sanitize pools by automatically producing chlorine from a mild salt solution.



Long-Range Switch with Remote Fob

Skip the walk outside with our forthcoming long-range switch. The simple solution will allow homeowners to turn outdoor landscape and pool lighting on and off with the press of a button. Its extended range, versatile load control options, and rugged design make it a must-see for next pool season.

Looking Forward

Our team is constantly seeking out feedback and working to develop solutions that elevate the pool and spa experience. We're striving to create easy-to-use smart solutions that benefit both homeowners and pool professionals alike.



Contents

Optimizer Automation Systems.....	46
Chemical Maintenance.....	47
Wireless Controls.....	47

Additional Solutions and Resources

Ready to get started? Scan the QR code to the right to view additional product information and resources on Intermatic.com.





Automation Systems For Pool & Spa
INTERMATIC OPTIMIZER

Intermatic Optimizer systems offer a powerful IoT based pool & spa control solution which allows any time, any place access. Control multiple pools and spas and easily switch between them with advanced iOS and Android interfaces. Optimizer is compatible with leading variable speed pumps as well as color LED pool and spa lights.

Applications

- Pool-only and pool/spa combinations
- Variable speed pumps
- Color LED pool-spa lighting
- Color LED water features
- Solar systems compatible

Features

- Control pool and spa systems from anywhere via the Optimizer app
- System monitors and tracks energy usage
- Compatible with popular variable speed pumps and color LED pool/spa lights
- Create powerful themes that are enabled with one click

Intermatic will be offering a wide range of Optimizer control systems.

The Load Center is ideal for new construction while the Power Center is perfect for retrofit installations.

Load Center



- Dimensions: 26" L x 17" W x 5" D
- 125 AMP breaker base
- Supports 4 or 8 AUX outputs (3 HP relays)
- Enclosure is 3R rainproof certified
- cULus certified for US and Canada

Power Center



- Dimensions: 15" L x 17" W x 5" D
- Supports 4 or 8 AUX outputs (3 HP relays)
- Enclosure is 3R rainproof certified
- cULus certified for US and Canada

Chemical Maintenance For Pool & Spa

SALT CHLORINE GENERATOR

Intermatic salt chlorinators are designed to sanitize pools by automatically producing chlorine from a mild salt solution.

Applications

- Inground pools and spas

Features

- Ability to operate at lower flow rates (20 GPM)
- Intermatic 25 Salt Chlorinator produces up to 1.15 lbs. per day of free chlorine (pool volume 25,000 gallons)
- Intermatic 40 Salt Chlorinator produces up to 1.65 lbs. per day of free chlorine (pool volume 40,000 gallons)
- Adjust sanitizing level in five-percent increments from 0-100%
- Real-time chlorine output display for fast and easy monitoring
- Choose from two model sizes based on pool capacity in gallons
- Indoor/Outdoor, cell can be installed vertically or horizontally
- 115/230 V 50/60 Hz Power Center



Wireless Controls For Pool & Spa

LONG-RANGE WIRELESS SWITCH WITH REMOTE FOB

The Long-Range Wireless Switch is intended for use in Intermatic Pool & Spa Panels and Intermatic Weatherproof Covers. The internal components have been treated with a special coating to resist oxidation in outdoor environments, but it must be installed in an appropriately rated weatherproof enclosure to ensure performance and safety outdoors.

Applications

- Lights ON/OFF, pool lights and landscape lighting

Features

- Ruggedized for enhanced reliability in NEMA 3R outdoor enclosures
- LoRa wireless technology provides ~400 ft. range through metal panel
- Works with battery-powered fob remote



Pool & Spa Solutions

Control and protect valuable pool equipment and landscape lighting with our affordable, time-saving pool and spa solutions. From timer controls and enclosures to safety transformers and surge protective devices, our products provide lasting value to pool owners while simplifying installation and setup.



Landscape Design

Elevate backyard décor with a selection of Intermatic timer controls. These solutions can be used to control ON/OFF schedules of garden and patio lights, as well as schedules for water features and outdoor decorations.

Underwater Lighting

Expand the functionality of underwater luminaires by installing our safe, reliable transformer solutions. Hybrid solutions like our COMBOCONNECT® Junction Box Transformer reduce clutter on the pool pad while maximizing performance.



Valve Control

Manage water flow for pool and spa equipment, fountains, pumps, and more with our easy-to-operate valve actuators. Solutions like the PE24GVA simplify cam adjustment and can be used in various water applications.

Power Management and Protection

Lay a solid foundation with our versatile control panels and robust surge protection solutions. Designed to streamline installation, our load centers offer a variety of options and can be paired with SPDs to provide a lasting defense against harmful power quality issues.



Contents

Mechanical Controls	50-51	Valve Actuators	71
Mechanical Control Centers...	52-57	Freeze Protection Controls	72
Load Center	58-59	Remote Controls.....	73
Surge Protection	60-61	Air Switches	74
Transformers	62	Panel Mount Timers	75
Junction Boxes	63	Specialty Controls	76
Wi-Fi Controls	64-65	Electronic Panel Mount Timers ...	77
Electronic Controls	66-67	Portable Timers & Enclosures...	78
Electronic Control Centers.....	68-69	Accessories	79
Wireless Add-On Components	70-71		

Additional Solutions and Resources

Ready to get started? Scan the QR code to the right to view additional product information and resources on [Intermatic.com](https://www.intermatic.com).





T104M

24-Hour Mechanical Time Switch Only T100 SERIES

Heavy-duty mechanical time switches control a single load. Highest HP ratings in the industry for loads up to 40 amps, providing direct 24-hour control of most loads.

Applications

- Timing/scheduling ON/OFF • Pump control

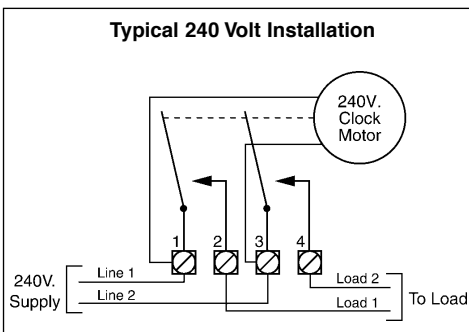
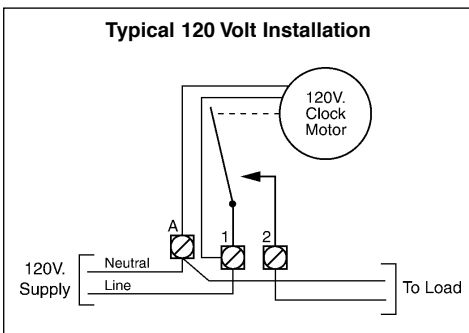
Features

- Highest motor load ratings in the industry
- Minimum ON/OFF times of 1 hour
- Up to 12 ON/OFF operations per day
- One ON and one OFF tripper included
- Can be installed in most Intermatic enclosures
- Available with pool heater protection
- Teeter-type terminals for multiple load connections
- Can be installed in most Intermatic enclosures

Model #	Switch Type	Input Voltage	Electronic Ballast	Inductive	Resistive (Heater)	Tungsten (Incandescent)	Pilot Duty
Without Pool Heater Protection							
T101M	SPST	120 VAC, 60 Hz	16 A, 120 VAC	40 A, 120-240 VAC, 60 Hz	40 A, 120-240 VAC, 60 Hz	40 A, 120-240 VAC, 60 Hz	1000 VA, 120-240 VAC, 60 Hz
T103M	DPST		16 A, 120-277 VAC	40 A, 120-240 VAC, 60 Hz	40 A, 120-240 VAC, 60 Hz	40 A, 120-240 VAC, 60 Hz	1000 VA, 120-240 VAC, 60 Hz
T104M	DPST	208-277 VAC, 60 Hz	16 A, 120-277 VAC	40 A, 120-277 VAC, 60 Hz	40 A, 120-480 VAC, 60 Hz	40 A, 120-277 VAC, 60 Hz	1000 VA, 120-277 VAC, 60 Hz
T106M	1 NO/1 NC, SPDT		16 A, 208-277 VAC	40 A, 120-240 VAC, 60 Hz	40 A, 120-240 VAC, 60 Hz	40 A, 120-240 VAC, 60 Hz	1000 VA, 120-240 VAC, 60 Hz
With Pool Heater Protection							
T104M201	DPST	208-277 VAC, 60 Hz	16 A, 120-277 VAC	40 A, 120-277 VAC, 60 Hz	40 A, 120-480 VAC, 60 Hz	40 A, 120-277 VAC, 60 Hz	1000 VA, 120-277 VAC, 60 Hz



WIRING DIAGRAMS



NOTES: 1. Grounding connections are not shown but must be provided. Refer to the National Electrical Code for details.
2. Diagrams above are only two of the many variations this Panel can accommodate.

Ratings	
Motor	2 HP, 24 FLA @ 120 VAC, 60 Hz, 5 HP, 28 FLA @ 240 VAC, 60 Hz
Heater Control Circuit	10 A, 250 VAC MAX, 60 Hz
Resistive	See Model Chart
Inductive	See Model Chart
Electronic Ballast	See Model Chart
Tungsten	See Model Chart
Pilot Duty	See Model Chart
Max Power Consumption	3 W
Operating Temperature	-40°F - 130°F (-40°C - 54°C)
Warranty	1-Year limited

ACCESSORIES

For accessories and replacement parts please see page 79.

24-Hour Mechanical Time Switch in Enclosure T100 SERIES

Heavy-duty mechanical time switches control a single load. Highest HP ratings in the industry for loads up to 40 amps, providing direct 24-hour control of most loads.

Applications

- Heater thermostat control • Motor control • Pump control

Features

- Highest motor load ratings in the industry
- Minimum ON/OFF times of 1 hour
- Up to 12 ON/OFF operations per day
- One ON and one OFF tripper included
- Available with pool heater protection
- Teeter-type terminals for multiple load connections



T104P3



T104R3

Model #	Switch Type	Input Voltage	Electronic Ballast	Inductive	Resistive (Heater)	Tungsten (Incandescent)	Pilot Duty	Enclosure
Without Pool Heater Protection								
T101P3	SPST	120 VAC, 60 Hz	16 A, 120 VAC	40 A, 120-240 VAC, 60 Hz	40 A, 120-240 VAC, 60 Hz	40 A, 120-240 VAC, 60 Hz	1000 VA, 120-240 VAC, 60 Hz	Outdoor type 3R plastic
T104P3	DPST	208-277 VAC, 60 Hz	16 A, 120-277 VAC	40 A, 120-277 VAC, 60 Hz	40 A, 120-480 VAC, 60 Hz	40 A, 120-277 VAC, 60 Hz	1000 VA, 120-277 VAC, 60 Hz	
T106P3	1 NO/1 NC	208-277 VAC, 60 Hz	16 A, 208-277 VAC	40 A, 120-240 VAC, 60 Hz	40 A, 120-240 VAC, 60 Hz	40 A, 120-240 VAC, 60 Hz	1000 VA, 120-240 VAC, 60 Hz	
T101R3	SPST	120 VAC, 60 Hz	16 A, 120 VAC	40 A, 120-240 VAC, 60 Hz	40 A, 120-240 VAC, 60 Hz	40 A, 120-240 VAC, 60 Hz	1000 VA, 120-240 VAC, 60 Hz	Outdoor type 3R metal
T104R3	DPST	208-277 VAC, 60 Hz	16 A, 120-277 VAC	40 A, 120-277 VAC, 60 Hz	40 A, 120-480 VAC, 60 Hz	40 A, 120-277 VAC, 60 Hz	1000 VA, 120-277 VAC, 60 Hz	
With Pool Heater Protection								
T101P201	SPST	120 VAC, 60 Hz	16 A, 120 VAC	40 A, 120-480 VAC, 60 Hz	40 A, 120-480 VAC, 60 Hz	40 A, 120-480 VAC, 60 Hz	1000 VA, 120-480 VAC, 60 Hz	Outdoor type 3R plastic
T104P201	DPST	208-277 VAC, 60 Hz	16 A, 120-277 VAC	40 A, 120-277 VAC, 60 Hz	40 A, 120-480 VAC, 60 Hz	40 A, 120-277 VAC, 60 Hz	1000 VA, 120-277 VAC, 60 Hz	
T101R201	SPST	120 VAC, 60 Hz	16 A, 120 VAC	40 A, 120-240 VAC, 60 Hz	40 A, 120-240 VAC, 60 Hz	40 A, 120-240 VAC, 60 Hz	1000 VA, 120-240 VAC, 60 Hz	Outdoor type 3R metal
T104R201	DPST	208-277 VAC, 60 Hz	16 A, 120-277 VAC	40 A, 120-277 VAC, 60 Hz	40 A, 120-480 VAC, 60 Hz	40 A, 120-277 VAC, 60 Hz	1000 VA, 120-277 VAC, 60 Hz	

Note: The heater protection switch (fireman switch) is closed when the time switch contacts are open to allow remote operation of the heater. A flow or pressure switch therefore must always be part of the heater control circuit.



Ratings	
Motor	2 HP, 24 FLA @ 120 VAC, 60 Hz, 5 HP, 28 FLA @ 240 VAC, 60 Hz
Heater Control Circuit	10 A, 250 VAC MAX, 60 Hz
Resistive	See Model Chart
Inductive Ballast	See Model Chart
Electronic Ballast	See Model Chart
Tungsten	See Model Chart
Pilot Duty	See Model Chart
Max Power Consumption	3 W
Operating Temperature	-40°F - 130°F (-40°C - 54°C)
Enclosure Dims (H x W x D)	
Plastic Outdoor	10" x 6.5" x 4" (254 mm x 165.1 mm x 101.6 mm)
Metal Indoor	10.125" x 6.5" x 3.625" (257.2 mm x 165.1 mm x 92.1 mm)
Knockout Dimensions	
Bottom	(2) ½" and ¾"
Left	(1) combination ½" and ¾"
Right	(1) combination ½" and ¾"
Back	(1) combination ½" and ¾"
Warranty	1-Year limited

ACCESSORIES

For accessories and replacement parts please see page 79.

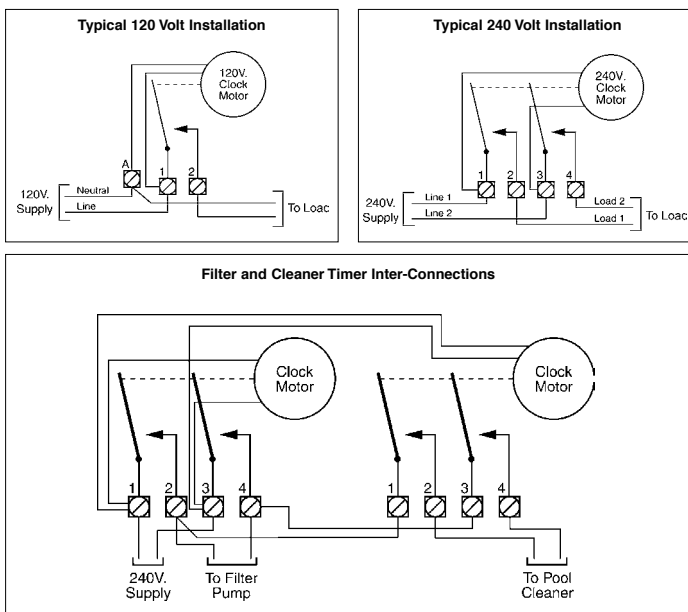


T10004R



T10604R
Control 2 speed pumps

WIRING DIAGRAMS



NOTES: 1. Grounding connections are not shown but must be provided. Refer to the National Electrical Code for details.
2. Diagrams above are only two of the many variations this Panel can accommodate.

Control System with Type 3R Power Center

T10000R SERIES

The T10000R Series Control Centers feature an all-weather enclosure and can contain control center only, one or two heavy duty timer mechanisms.

Applications

- Distribution/control panel • Motor control • Pump control

Features

- Available with one or two heavy-duty time switch mechanisms
- Accepts PF1000M, P1403ME, P1353ME, P4043ME, P4243ME, T100M OR RC2000M Series mechanisms
- Load center dead front has two knockouts for switches or GFCIs and one on the side
- Wiring devices may be installed in these load centers with the use of Standoffs, sold separately (21T156A and 21T166A)
- Control two-speed pumps with the T10604R
- Electrostatically applied light beige finish

Model #	Mechanism	Switch Type	Mechanism Supply Voltage
T10000R	Power Center Only	—	—
T10004R	(1) T104M	DPST	208-277 VAC, 60 Hz
T10006R	(1) T106M	1 NO/1 NC	208-277 VAC, 60 Hz
T10101R	(2) T101M	SPST	120/120 VAC, 60 Hz
T10404R	(2) T104M	DPST	208-277 VAC, 60 Hz
T10604R	T106M & T104M	SPDT/DPST	208-277 VAC, 60 Hz
T12404R*	T104M201 & T104M	DPST	208-277 VAC, 60 Hz

* The heater protection switch (fireman switch) is closed when the time switch contacts are open to allow remote operation of the heater. A flow or pressure switch therefore must always be part of the heater control circuit.



Ratings	
Center Rating	92 Amp per leg, 168 Amp Max. 120-240 VAC or 120-208 VAC single phase - 60 Hz
Resistive	30 A, 120-240 VAC, 60 Hz
Inductive	30 A, 120-240 VAC, 60 Hz
Tungsten	30 A, 120-240 VAC, 60 Hz
Pilot Duty	1000 VA, 120-240 VAC, 60 Hz
Max Power Consumption	3 W
Motor	2 HP, 24 FLA @ 120 VAC, 60 Hz, 5 HP, 28 FLA @ 240 VAC, 60 Hz
Operating Temperature	-40°F - 130°F (-40°C - 54°C)
Enclosure Dimensions H x W x D	12.875" x 10.875" x 4.75" (327 mm x 276.2 mm x 120.7 mm)
Knockout Dimensions	Bottom (5) combination 1/2" - 3/4" and (2) combination 3/4" - 1" Left (1) combination 1/2" - 3/4" Right (1) 1 3/4" x 2 3/4" for mounting switches or GFCI Back (1) combination 1/2" - 3/4" and (1) 3/4" - 1"
Warranty	1-Year limited

ACCESSORIES

For accessories and replacement parts please see page 79.

60 A Control System with Type 3R Load Center T21000R SERIES

T20000R Series load center panels feature an all-weather enclosure and contain a 4-circuit breaker base, an equipment grounding bar and can contain load center only or a heavy-duty timer mechanisms. The circuit breaker base accepts interchangeable type breakers made by a number of different manufacturers.

Applications

- Distribution/control panel • Motor control • Pump control

Features

- Four breaker spaces
- Accepts PF1000M, P1403ME, P1353ME, P4043ME, P4243ME, T100M or RC2000M Series mechanisms
- Accepts many interchangeable type breakers made by a number of different manufacturers
- Load center dead front has two knockouts for switches or GFCIs and one on the side
- Wiring devices may be installed in these Load Centers with the use of Standoffs, sold separately

Model #	Mechanism	Switch Type	Mechanism Supply Voltage
T21000R	Load Center Only	—	—
T21001R	T101M	SPST	120 VAC, 60 Hz
T21004R	T104M	DPST	208-277 VAC, 60 Hz



Ratings	
Load Center Rating	60 A, 120/240 VAC or 120/208 VAC, Single Phase
Resistive	30 A, 120-240 VAC, 60 Hz
Inductive	30 A, 120-240 VAC, 60 Hz
Tungsten	30 A, 120-240 VAC, 60 Hz
Pilot Duty	1000 VA, 120-240 VAC, 60 Hz
Motor	2 HP, 24 FLA @ 120 VAC, 60 Hz, 5 HP, 28 FLA @ 240 VAC, 60 Hz
Operating Temperature	-40°F - 130°F (-40°C - 54°C)
Dimensions H x W x D	16.875" x 8.875" x 4.75" (428.6 mm x 225.4 mm x 120.7 mm)
Knockout Dimensions	
Bottom	(5) combination 1/2" - 3/4" and (3) combination 3/4" - 1"
Left	(1) combination 1/2" - 3/4"
Right	(1) 1 3/4" x 2 3/4" for mounting switches or GFCI
Back	(1) combination 1/2" - 3/4" and (1) 3/4" - 1"
Warranty	1-Year limited

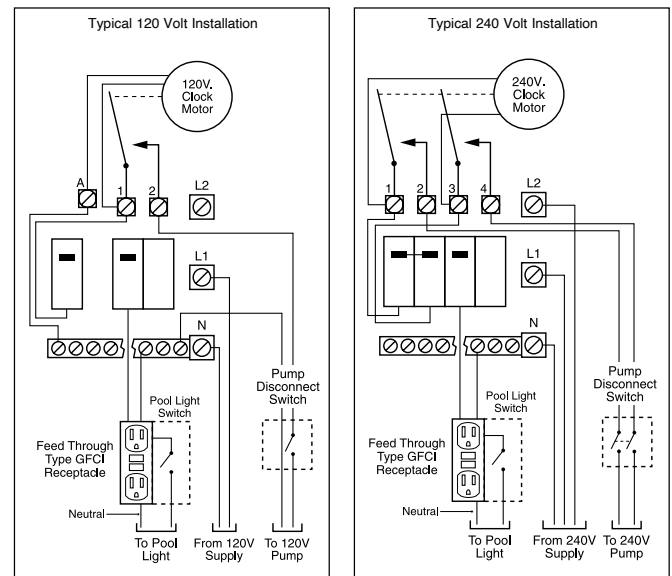


T21000R



T21001R

WIRING DIAGRAMS



NOTES: 1. Grounding connections are not shown but must be provided. Refer to the National Electrical Code for details. 2. Diagrams above are only two of the many variations this Panel can accommodate.

ACCESSORIES

For accessories and replacement parts please see page 79.



T30004R



T30604R
Control 2 speed pumps

100 A Control System with Type 3R Load Center

T30000R SERIES

The T30000R Series can be used as a load center only. It can also be paired with additional mechanisms or devices to create a complete control system.

Applications

- Distribution/control panel • Motor control • Pump control

Features

- Eight breaker spaces
- Reduces installation costs
- Eliminates the need for additional service panels
- Accepts PF1000M, P1403ME, P1353ME, P4043ME, P4243ME, T100M OR RC2000M Series mechanisms
- Control two-speed pumps with the T30604R
- Fully compatible with all electrical requirements for pool/spa installations
- Load center dead front has two knockouts and one on the side for switches or GFCIs
- Wiring devices may be installed in these load centers with the use of Standoffs, sold separately

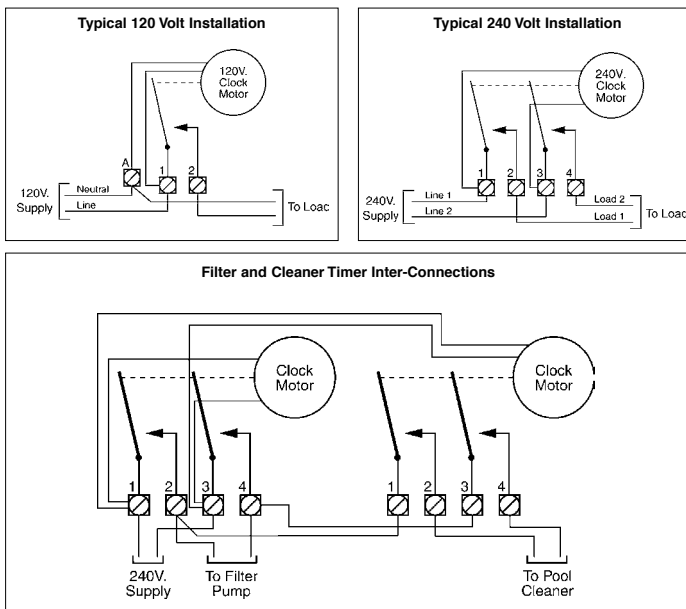
Model #	Mechanism	Switch Type	Mechanism Supply Voltage
T30000R5	Load Center Only	—	—
T30004R	(1) T104M	DPST	240 VAC, 60 Hz
T30404R	(2) T104M	DPST/DPST	240/240 VAC, 60 Hz
T30401R	T104M & T101M	DPST/SPST	240/120 VAC, 60 Hz
T30604R	T106M & T104M	SPDT/DPST	240/240 VAC, 60 Hz
T32404R*	T104M201 & T104M	DPST/DPST	240/240 VAC, 60 Hz

* The heater protection switch is closed when the time switch contacts are open to allow remote operation of heater. A flow or pressure switch must always be part of heater control circuit.



Ratings	
Load Center Rating	100 A, 120-240 VAC, Single Phase, 60 Hz
Resistive	40 A, 120-240 VAC, 60 Hz
Inductive	40 A, 120-240 VAC, 60 Hz
Tungsten	40 A, 120-240 VAC, 60 Hz
Pilot Duty	1000 VA, 120-240 VAC, 60 Hz
Motor	2 HP, 24 FLA @ 120 VAC, 60 Hz, 5 HP, 28 FLA @ 240 VAC, 60 Hz
Dimensions H x W x D	16.875" x 10.875" x 4.75" (428.6 mm x 276.2 mm x 120.7 mm)
Operating Temperature	-40°F - 130°F (-40°C - 54°C)
Knockouts	Bottom (3) ½" (4) combination ½" - ¾" and (2) combination ¾" - 1" Left (1) combination ¾" - 1" Right (1) 1 ¾" x 2 ¾" for mounting switches and GFCI Back (4) ½" and (3) combination ½" - ¾"
Warranty	1-Year limited

WIRING DIAGRAMS



NOTES: 1. Grounding connections are not shown but must be provided. Refer to the National Electrical Code for details.
2. Diagrams above are only two of the many variations this Panel can accommodate.

ACCESSORIES

For accessories and replacement parts please see page 79.

125 A Control System with Type 3R Load Center T4000R SERIES

The T4000R Series can be used as a standalone load center. It can also be paired with additional mechanisms or devices to create a complete control system

Applications

- Distribution/control panel

Features

- Eight breaker spaces
- Reduces installation costs
- All-in-one electrical load center eliminates the need for additional service panels
- Accepts any combination of PF1000M Series, P1403ME, P1353ME, P4043ME, P4243ME, T100M Series or RC2000M Series mechanisms
- Fully compatible with all electrical requirements for pool/spa installations
- Load center dead front has four knockouts for switches or GFCIs (Note: T4000R4 has one knockout)
- Wiring devices may be installed in these Load Centers with the use of Standoffs, sold separately



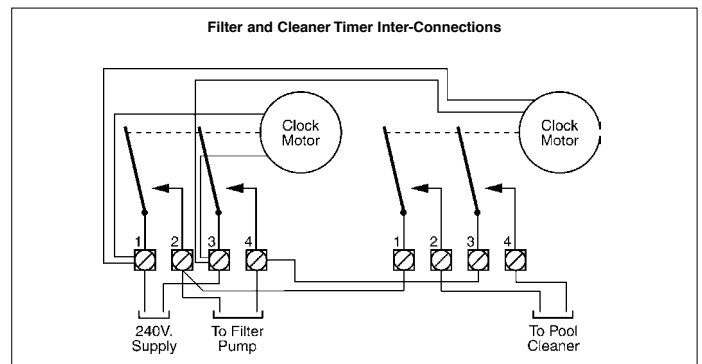
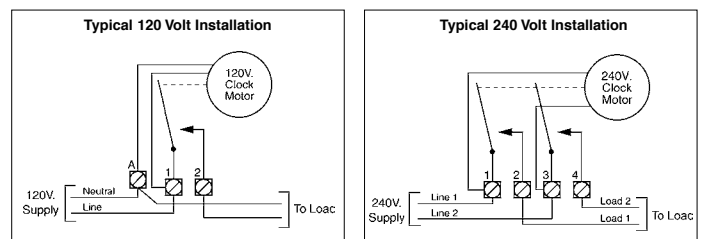
T40004R

Model #	Mechanism(s)	Switch Type	Mechanism Supply Voltage
T40004R	(1) T104M	DPST	240 VAC, 60 Hz
T40404R	(2) T104M	DPST	240 VAC, 60 Hz
T4000R4	Load Center with Compartment for Optional Wiring Devices	-	-



Ratings	
Load Center Rating	125 A MAX, 120-240 VAC, Single Phase, 60 Hz
Resistive	40 A, 120-240 VAC, 60 Hz
Inductive	40 A, 120-240 VAC, 60 Hz
Tungsten	40 A, 120-240 VAC, 60 Hz
Pilot Duty	1000 VA, 120-240 VAC, 60 Hz
Motor	2 HP, 24 FLA @ 120 VAC, 60 Hz, 5 HP, 28 FLA @ 240 VAC, 60 Hz
Operating Temperature	-40°F - 130°F (-40°C - 54°C)
Enclosure Dimensions H x W x D	20.875" x 12.875" x 4.75" (530.2 mm x 327 mm x 120.7 mm)
Knockout Dimensions	
Bottom	(5) ½" - ¾", (4) ½", (2) ¾" - 1", 1 ¼"
Left	(2) ½" - ¾"
Right	(1) 1 ¾" x 2 ¾" for mounting switches and GFCI
Back	(4) ½" - ¾", (2) ¾" - 1"
Warranty	1-Year limited

WIRING DIAGRAMS



NOTES: 1. Grounding connections are not shown but must be provided. Refer to the National Electrical Code for details. 2. Diagrams above are only two of the many variations this Panel can accommodate.

ACCESSORIES

For accessories and replacement parts please see page 79.



Protect Expensive Pool Equipment with the **PS3000 SPD + Load Center**

Even the best laid plans for pool season can be sunk in an instant when an unexpected power surge occurs. Without the right surge protection device in place, transients and voltage surges can damage expensive pool equipment, leaving homeowners holding the bill for costly maintenance. But there's a simple way to prevent disaster.

Ideal for Retrofits and New Construction

Designed for simple installation in a variety of settings, the PS3000 can be quickly wired into pool and spa breaker/automation panels or existing home electrical service panels for complete protection of all downstream equipment.

PS3000 units can also be paired with an Intermatic Load Center for added convenience and functionality. This is typically done in new pool builds, with the Load Center serving as the protecting central hub for connected pool and spa equipment.

Load Center



PS3000 SPD*



Common PS3000 Applications:

- Pool and spa LED lighting
- Gas and electric high-efficiency heaters
- Single and variable speed pool pumps
- Pool automation systems
- Water feature pumps
- Chlorinators
- Suction cleaners
- Stereo and speaker systems
- Portable hot tubs

* See page 61 for product information

Control System with Transformer and Power or Load Center

MECHANICAL CONTROLS

These mechanical control systems include built-in transformers for ease of installation.

Applications

- Distribution/control panel • Landscape lighting • Motor control • Pump control
- Underwater lighting

Features

- All-in-one control power for pool/spa installation
- Easy to wire
- Can house additional Intermatic mechanisms and components
- Control two-speed pumps with the T40604RT3
- Heavy-duty Type 3R metal indoor/outdoor power and load center
- Wiring devices may be installed in these Load Centers with the use of Standoffs, sold separately
- Knockout on the side for additional wiring device



T10004RT1



T4000RT3

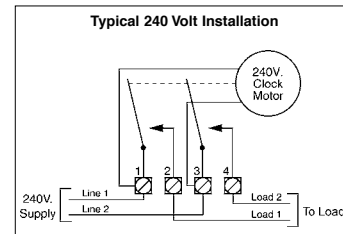
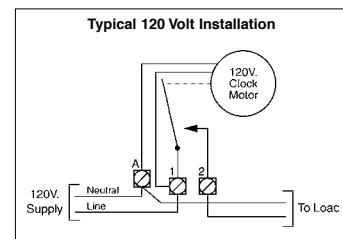
Model #	Description	Mechanism Supply Voltage	Transformer		
			Watts	Input Voltage	Output Voltage
Power Center					
T10004RT1	Control Panel with 100 W Transformer and T104M Mechanism	240 VAC, 60 Hz	100	1 A, 120 VAC, 60 Hz	12, 13, 14 VAC
T10004RT3	Control Panel with 300 W Transformer and T104M Mechanism	240 VAC, 60 Hz	300	3 A, 120 VAC, 60 Hz	12, 13, 14 VAC
Load Center with Eight Breaker Spaces					
T4000RT3	100 A Load Center Only with 300 W Transformer, 8-Breaker Spaces	—	300	—	—
T4003RT3	100 A Load Center with 300 W Transformer and T103M Mechanism, 8-Breaker Spaces	120 VAC, 60 Hz	300	3 A, 120 VAC, 60 Hz	12, 13, 14 VAC
T4004RT1	100 A Load Center with 100 W Transformer and T104M Mechanism, 8-Breaker Spaces	240 VAC, 60 Hz	100	1 A, 120 VAC, 60 Hz	12, 13, 14 VAC
T4004RT3	100 A Load Center with 300 W Transformer and T104M Mechanism, 8-Breaker Spaces	240 VAC, 60 Hz	300	3 A, 120 VAC, 60 Hz	12, 13, 14 VAC
T40604RT3	100 A Load Center with 300 W Transformer and T104M & T106M Mechanisms, 8-Breaker Spaces	240 VAC, 60 Hz	300	3 A, 120 VAC, 60 Hz	12, 13, 14 VAC



Ratings	
Power Center Rating	120-240 VAC, 60 Hz single-phase
Load Center Rating	100 A, 120-240 VAC, Single Phase, 60 Hz
Switch Type T40604RT3	DPST 1 NO/1 NC, DPST
Resistive	40 A, 120-240 VAC, 60 Hz
Inductive Ballast	40 A, 120-240 VAC, 60 Hz
Tungsten	40 A, 120-240 VAC, 60 Hz
Pilot Duty	1000 VA, 120-240 VAC, 60 Hz
Motor	2 HP, 24 FLA @ 120 VAC, 60 Hz, 5 HP, 28 FLA @ 240 VAC, 60 Hz
Operating Temperature	-40°F - 130°F (-40°C - 54°C)
Warranty	1-Year limited

Dimensions	
Power Center H x W x D	12.875" x 12.875" x 4.75" (327 mm x 327 mm x 120.7 mm)
Load Center H x W x D	20.875" x 12.875" x 4.75" (530.2 mm x 327 mm x 120.7 mm)
Knockouts T1000R Series	
Bottom	(5) 7/8" - 1 1/8", (2) 7/8", (2) 1 1/8" - 1 3/8"
Left	(1) 7/8" - 1 1/8"
Right	(1) 1 3/4" x 2 3/4" for mounting switches and GFCI
Back	(1) 7/8" - 1 1/8", (1) 1 1/8" - 1 3/8"
Knockouts T4000R Series	
Bottom	(5) 7/8" - 1 1/8", (4) 7/8", (2) 1 1/8" - 1 3/8" - 1 5/8"
Left	(2) 7/8" - 1 1/8"
Right	(1) 1 3/4" x 2 3/4" for mounting switches and GFCI
Back	(4) 7/8" - 1 1/8", (2) 1 1/8" - 1 3/8"

WIRING DIAGRAMS



NOTES: 1. Grounding connections are not shown but must be provided. Refer to the National Electrical Code for details. 2. Diagrams above are only two of the many variations this Panel can accommodate.

ACCESSORIES

For accessories and replacement parts please see page 79.

Align Equipment to Pool Needs with a **Next Generation Load Center Panel**

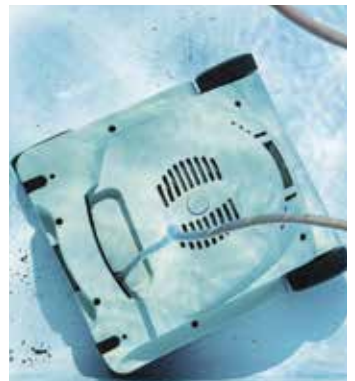


It's no surprise that the average pool setup integrates more technology than the backyards of past generations. From filters and heaters to variable speed pumps and nicheless LED lights, there is more equipment than ever connected to the average pool pad.

By combining the most versatile busbar design in the business with built-in safety transformer functionality, new Intermatic load center panels allow professionals to connect multiple pieces of pool equipment and an array of low-voltage underwater lights with ease. Unlike our standard panels, our next-gen panels are timer-less, making them an ideal choice for new construction projects.

From the outside, these new solutions blend right in. They feature a familiar dead front design and the same powder coat paint and color utilized in previous pool panel offerings.

Our next gen panels are designed for pool only applications that do not require a time clock provision which allows for more internal wiring space. These new panels offer reduced audible noise (in transformer versions) and come with device mounting brackets for switch/GFCI provisions. Updated side knockouts also accommodate larger in-use receptacle weatherproof covers for added convenience.



Next Generation Load Centers

Need a solution for a basic pool with a variable speed pump?
Look no further than the Intermatic next generation load center.

Tackle any pool project with the next generation Intermatic load centers. Designed versatility and ease of installation, these panels are built specifically for pool systems. They're the ideal choice for connecting underwater luminaires and essential pool equipment.



Model Number	Description	Transformer		
		Watts	Input Voltage	Output Voltage
P4000R5	125 Amp load center only	—	—	—
P4000RT1	100 Amp load center only with 100 Watt transformer	100	1 A 120 VAC 60Hz	12, 13, 14 VAC
P4000RT3	100 Amp load center only with 300 Watt transformer	300	3 A 120 VAC 60Hz	12, 13, 14 VAC

Ratings	
Load Center Rating	
P4000R5	125 A, 120-240 VAC
P4000RT1 & P4000RT3	100 A, 120-240 VAC
Enclosure Type	Outdoor Type 3R Metal
Operating Temperature	-40°F - 130°F (-40°C - 54°C)
Knockouts	
Bottom	(1) 1" - 1-¼", (2) ¾" - 1", (6) ½" - ¾"
Left	(2) ½" - ¾"
Right	(1) 1-¾" x 2 - ¾" for mounting switches and GFCI
Back	(1) ¾" - 1", (2) ½" - ¾"
Warranty	1-Year limited

LIKE TO KNOW MORE?

Scan the QR code to the right for a variety of helpful resources, including sell sheets, product instructions, installation videos and more.





Protect it all with the PS3000 Surge Protective Device

Did you know most power surges are caused by the on-and-off cycling of home appliances and electronics, not by adverse weather conditions? Homeowners rely on point-of-use surge strips to protect computers, TVs, sound systems, and other valuable electronics, but what about expensive pool equipment? The easy-to-install PS3000 Surge Protective Device helps homeowners safeguard their pool and spa equipment from harmful power surge events all season long. It is typically installed at the pool electrical panel and uses state-of-the-art TPMOV® surge technology to protect all equipment downstream of the connection point.

SCAN TO LEARN MORE



Don't let your pool season plans fall into the deep end because of an unexpected power surge event – invest in the PS3000 Surge Protective Device from Intermatic.

Pool and Spa Surge Protective Device Type 1 or Type 2 PS3000

Mount the PS3000 to your pool electrical panel to protect all your expensive pool and spa equipment against power surges. Designed with trusted, state-of-the-art TPMOV® (Thermally Protected Metal Oxide Varistor) surge protection technology to eliminate the potentially hazardous failure modes that are commonly associated with standard MOV technology.

Applications

- Distribution panel
- Surge protection

Features

- TPMOV® Surge Protection Technology
- UL Listed to ANSI/UL 1449, 4th edition
- 120/240 VAC single-phase SPD for use on a variety of pool equipment
- Green LED protection indicator
- Type 4X watertight and UV resistant plastic enclosure
- Three modes of protection
- Includes (3) 18", #10 AWG tinned copper leads
- 3-year warranty
- \$7,500 connected equipment warranty

Model #	Wiring Configuration
PS3000	L1, L2, L/N-G

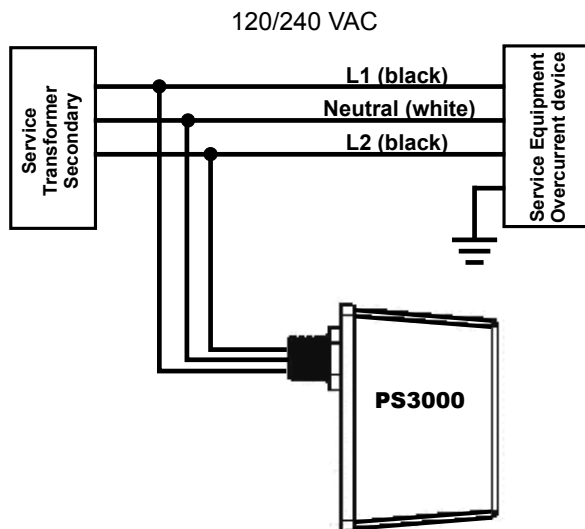


PS3000

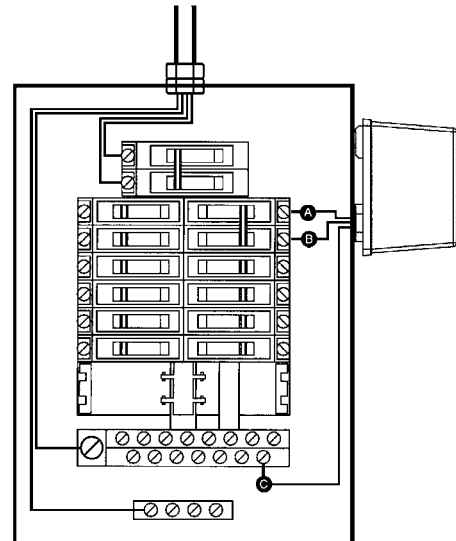


Ratings	
Service Voltage	120/240 VAC Single-Phase
SPD Type	1, 2
Nominal Discharge Current (In)	20 kA
SCCR*	100 kA
Max Surge Current	50 kA
Voltage Protection Rating (VPR)	
L-N/G	700
L-L	1200
MCOV**	
L-N	150
L-L	300
Dimensions H x W x D	3.875" x 1.625" x 4.1875" (98 mm x 41 mm x 106.4 mm)
Warranty	3-Year limited

Wiring Diagrams



Typical distribution panel installation





PX50



PX100S



PX300

Why Choose PX Series Safety Transformers?

Though similar products can share the same basic look and functionality, what's under the surface makes all the difference when it comes to reliability and value. For example, installing high-performance safety transformers can help streamline installations and ensure consistency from one season to the next, whereas an inferior solution can cause delays and maintenance headaches.

Intermatic safety transformers, such as the PX100, PX300 and COMBOConnect® Junction Box Transformer, are manufactured in an ISO-certified facility that includes more than 40 on-site specialty engineers and offer unique features that help them stand out in a crowded field.

Designed for High-Performance, Built to Last

Super Quiet Stainless Steel
Non-magnetic Stainless steel reduces audible hum in low-voltage lighting applications

Automatic Breaker Reset
Built-in circuit protection will disconnect power to the transformer in case of defect or overload

PX100S

Premium Construction
Manufactured in an ISO-certified facility that includes more than 40 on-site specialty engineers

New Built-in Noise Filter
Reduces electronic noise and interference when used in low-voltage lighting applications

Wiring Flexibility
Extra space within the enclosure simplifies installations

Safety Transformers PX SERIES

PX Series Safety Transformers are specifically designed to supply 12-14 VAC and are suitable for direct connection to underwater pool/spa lights. A grounded shield between the primary and secondary winding assures safe operation. Built-in circuit protection will disconnect power to the transformer in case of an overload.

Applications

- Landscape lighting • Underwater lighting

Features

- Built in noise filter reduces electronic noise and interference in low-voltage lighting applications
- All Intermatic transformers include extra space within the enclosure to simplify wiring and streamline installations
- All Intermatic Transformers include extra space within the enclosure to simplify wiring and streamline installations
- Mounting brackets on the top and bottom
- Built-in circuit protection disconnects power temporarily in case of overload*
- Complies with NEC Code 680.23 requirements for underwater luminaries
- Stainless steel options for quiet audible sound levels.

Model #	Input Voltage	Output Voltages	Watts
3R Beige Metal			
PX50	.5 A, 120 VAC, 60 Hz	12 VAC, 13 VAC, 14 VAC	50 W
PX100	1 A, 120 VAC, 60 Hz		100 W
PX300	3 A, 120 VAC, 60 Hz		300 W
PX600	6 A, 120 VAC, 60 Hz		600 W
3R Stainless Steel			
PX50S	.5 A, 120 VAC, 60 Hz	12 VAC, 13 VAC, 14 VAC	50 W
PX100S	1 A, 120 VAC, 60 Hz		100 W
PX300S	3 A, 120 VAC, 60 Hz		300 W

*Disconnection is not permanent; the transformer is equipped with a thermal protector. The circuit will "re-energize" when the transformer cools.



Ratings PX50, 100, 300

Enclosure Dimensions H x W x D	7.25" x 5.25" x 4.5" (184.2 mm x 133 mm x 114.3 mm)
Knockout Dimensions	
Bottom	(4) combination 1/2" - 3/4"
Left	(2) combination 1/2" - 3/4"
Right	(2) combination 1/2" - 3/4"
Back	(2) combination 1/2" - 3/4"
Warranty	1-Year limited



Ratings PX600

Enclosure Dimensions H x W x D	10" x 10" x 5.375" (254 mm x 254 mm x 136.5 mm)
Knockout Dimensions	
Bottom	(2) combination 1/2" - 3/4", (4) combination 3/4" - 1"
Left	(2) combination 1/2" - 3/4"
Right	(2) combination 1/2" - 3/4"
Back	(2) combination 1/2" - 3/4"
Warranty	1-Year limited



PJBX52100

COMBOCONNECT®

PJBX52100

The COMBOCONNECT® blends the simplicity of a standard connection box with the power of a low-voltage transformer of 100 Watts.

Applications

- Landscape lighting • Underwater lighting

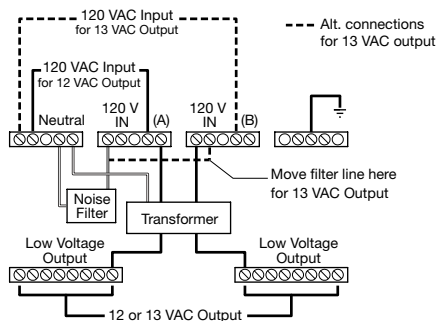
Features

- Patented design that combines a standard junction box with a built-in transformer
- Two high-voltage openings (one for inlet power, one to daisy chain to other j-boxes), five low-voltage openings (one more than typical larger junction boxes to better accommodate nicheless lights)
- Includes built-in 100 W safety transformer; Built-in electronic noise reduction
- Unit is 20 percent smaller than standard junction box and transformer components
- Connections are designed to be easily accessible
- Uses insulated terminals for wiring connections
- Mount via wall, post or rod (PA119 mounting bracket sold separately.)
- Complies with NEC Code 680.24 requirements for junction boxes and per NEC 411 for low-voltage landscape lighting
- 1-year warranty



Model Number	Light Connections	Mounting Options	Output Voltage	Dimensions H x W x D
PJBX52100	5	Bracket, Post, Rod, Wall	12 VAC, 13 VAC	5" x 8" x 6" (127 mm x 203.2 mm x 152.4 mm)

WIRING LOCATIONS



PJB2175



PJB4175

Pool/Spa Light Junction Boxes

PJB Series

These polymeric junction boxes are code compliant and provide safe, reliable connections for low-voltage lights. Specially designed for pools, pool-spa combinations, and landscape applications. Junction boxes are for outdoor use only.

Applications

- Landscape Lighting • Underwater Lighting

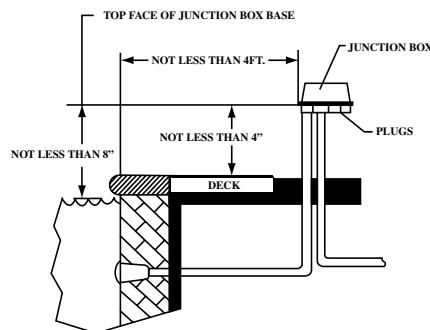
Features

- Accommodates flexible cords and non-metallic conduits from 1/2" to 1"
- Watertight, multi-fixture enclosure
- Easy access ground bar
- PA114 Wall/Post Mounting Bracket (sold separately)
- Complies with NEC Code 680.24 requirements for junction boxes
- 1-year warranty



Model Number	Light Connections	Mounting Options	Dimensions H x W x D
PJB2175	2	Bracket, Post, Rod, Wall	7.25" x 3" x 4" (184.2 mm x 76.2 mm x 101.6 mm)
PJB4175	4		8.75" x 5" x 4.625" (222.3 mm x 127 mm x 117.5 mm)

INSTALLATION PJB2175 & PJB4175



ACCESSORIES

For accessories and replacement parts please see page 79.

Simplify Schedules with Our All-Weather Wi-Fi Control



Take control of pool equipment schedules with the PE700 Series Wireless Electronic Time Switch from Intermatic. Our simple wireless solution allows pool owners to turn pool pumps, submersible lighting, auxiliary equipment, and more ON and OFF via the Intermatic Connect app or voice command for added convenience and efficiency.

Users can also use the PE700 Series to set 7-Day ON/OFF schedules with built-in Astronomic and Daylight Saving Time adjustment.



Connect

Scan this qr code to download the Intermatic Connect App via the App Store and Google Play



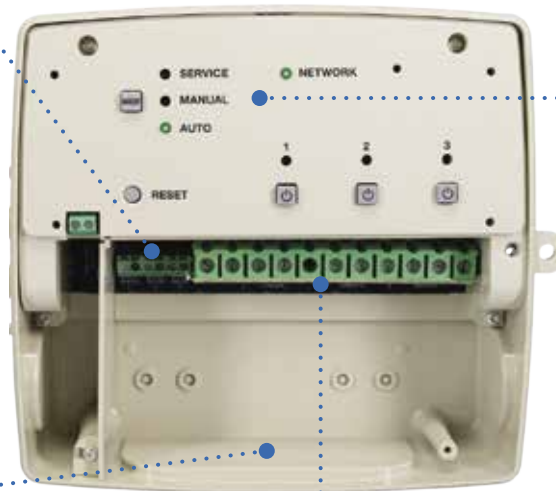
Remote Input

Enhance functionality by wiring a photocontrol/presence sensor (120-277 VAC) directly to the PE700 Series control, then apply an override to the chosen circuits. This means that the override can handle much larger loads as it now allows the control to handle the load directly while there is very little draw on the override itself.



Simple Retrofit

PE Series enclosure knockout sizes and locations are the same as legacy Intermatic enclosures, making it easy to upgrade



PE733P
3-Circuit (As shown)

LED Indicators

LED indicators give users a visual cue to indicate the device's current state and connection status

Independent Relay State

Indicator light will be active when Normally Open relay is energized

Connection Status:

- Solid green = connected
- Solid red = disconnected
- Flashing green = attempting to connect

2x or 3x SPDT Relays

Configurable for DPDT applications with an additional SPDT available; device includes up to 3 line-voltage remote inputs (PE723P 2-Circuit, PE733P 3-Circuit)

24-Hour 7-Day Electronic Wi-Fi Time Control PE700 SERIES

This general purpose 24-hour, 7-day timer control is capable of automatically switching loads according to a preset daily schedule. Simply wire to various downstream hard-wired pool equipment and turn these loads On and Off via schedule or manually through the Intermatic Connect Mobile App or Voice command.

Applications

- Motor control, Pool lighting control, Pump control

Features

- Schedule automatic ON/OFF operation of connected Pool equipment and make changes anywhere to suit your scheduled needs
- Controls pool pumps, pool and spa lighting, landscape lighting, pool sanitation, and other auxiliary equipment; Up to 96 ON/OFF events per day
- Simple retrofit - knockout locations and sizes designed equivalently to Intermatic legacy time switch enclosures
- Remote access - once connected to a Wi-Fi network, the PE700 series can be accessed via the Intermatic Connect app from any location
- Override inputs - remotely extend or override active schedules at any time with a switch, photocontrol, presence sensor or via the Intermatic Connect app.
- Auto voltage - automatic input voltage selection from 120 VAC to 277 VAC, 50/60 Hz
- Configurable relay outputs for multiple switching options (SPDT or DPDT)
- Service mode - with optional timed-stop or timed-run feature. Locks external users out from controlling connected loads remotely.
- LED Status Indicators - provides visual cue to indicate the devices current state and connection status
- Non-volatile EEPROM memory protects programming indefinitely



PE723P



PE733P



Model #	Description	Circuits
PE723P	24-Hour 7-Day Electronic Wi-Fi Time Control, 2-Circuit, Type 3R Plastic Enclosure	2
PE733P	24-Hour 7-Day Electronic Wi-Fi Time Control, 3-Circuit, Type 3R Plastic Enclosure	3

Ratings	
Input Voltage	120-277 VAC, 50/60 Hz
Class 2 Input	3 VDS 100 mA Total
NO Contacts	
Electronic Ballast (LED)	16 A
General Purpose	30 A
Motor Load	1 HP, 120 VAC; 2 HP 240 VAC
LRA	96 A, 120 VAC; 90 A 240 VAC
NC Contacts	
General Purpose	10 A @ 55° C, 5 A @ 70° C
Operating Temperature	-40°F - 158°F (-40°C - 70°C)
Dimensions	7.5" x 8.87" x 3" (25.4 mm x 225.30 mm x 76.2 mm)
Warranty	3-Year limited



PE103



P1403ME

Electronic Pump Motor Controller with Seasonal Adjustment

PE103

Control 1 or 2 speed pumps and 1 auxiliary load with this 3-circuit programmable device. The seasonal adjustment feature can be programmed to automatically adjust filter pump ON/OFF schedules according to the season.

Application

- Motor control • Pump control

Features

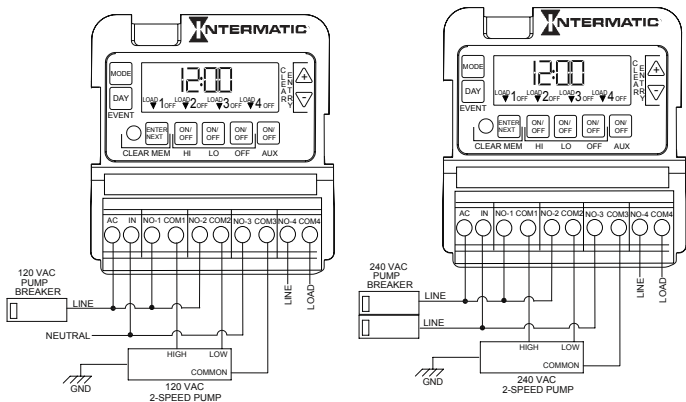
- Saves up to 40% in monthly utility bills compared to standard timers
- Meets most rebate incentives
- Enables separate daily schedules
- Easy-to-follow on-screen setup for programming
- DST adjustment included
- Auto-voltage adjust
- Efficient low-speed operation for all seasons
- User programmable high and low-speed events
- 100+ hour supercapacitor memory retention
- Available with Type 3R indoor/outdoor lockable metal enclosure

Model #	Description
PE103	Electronic Pump Motor Controller with Seasonal Adjustment, 4-Circuit, Type 3R Metal Enclosure
P1403ME	Electronic Pump Motor Controller with Seasonal Adjustment, 4-Circuit, Mechanism Only

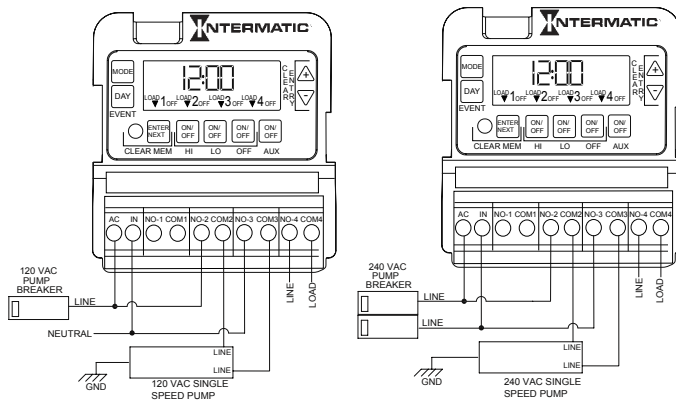


Ratings	
Input Voltage	120-277 VAC, 50/60 Hz
Max ON/OFF Operations	3
Number Of Circuits	3
Max Power Consumption	7 W
Switch Type	4-SPST
Resistive	30 A @ 24 VAC, 120-277 VAC, 50/60 Hz; 20 A @ 28 VDC
Inductive	30 A @ 24 VAC, 120-277 VAC, 50/60 Hz
Tungsten	5 A @ 120-277 VAC, 50/60 Hz
Motor	16 FLA, 96 LRA @ 120 VAC, 50/60 Hz; 17 FLA, 80 LRA @ 240 VAC, 50/60 Hz
Warranty	1-Year limited

2-SPEED PUMP WIRING DIAGRAMS



SINGLE SPEED PUMP WIRING DIAGRAMS



Digital 3-Circuit Time Switch

P153 SERIES

This multipurpose 24-hour control is capable of automatically switching loads according to a preset daily schedule. Controls single- and two-speed pumps and cleaner/booster pumps. Three ON/OFF events per circuit per day.

Applications

- Motor control • Pump control protection

Features

- Controls single- and two-speed pumps and cleaner/booster pumps
- Three ON/OFF events per circuit per day
- Seven preprogrammed modes, see chart below for details
- Freeze and heater protection
- LCD readout
- Multivoltage input and output
- Countdown and override features enable programs to be overridden and automatically resumed without requiring the user to reprogram the system

Model #	Description
P1353ME	24-Hour Time Control, 3-Circuit, Mechanism Only
PE153	24-Hour Electronic Time Control, 3-Circuit, Type 3R Metal Enclosure
PE153F	24-Hour Electronic Time Control, 3-Circuit, Freeze Protection Probe, Type 3R Metal Enclosure
PE153P	24-Hour Electronic Time Control, 3-Circuit, Type 3R Plastic Enclosure
PE153PF	24-Hour Electronic Time Control, 3-Circuit, Freeze Protection Probe, Type 3R Plastic Enclosure



Ratings	
Input Voltage	120/240 VAC, 50/60 Hz
Switch Type	3-SPST
Resistive	17 A, 120/240 VAC, 50/60 Hz
Tungsten	5 A, 120/240 VAC, 50/60 Hz
Motor	80 LRA @ 120/240 VAC, 50/60 Hz; 17 FLA @ 120/240 VAC, 50/60 Hz
Warranty	1-Year limited

7 PREPROGRAMMED MODES

Mode #	Switches Control	Additional Comments
1	Aux 1, Aux 2, Aux 3	—
2	Pump High, Pump Low, Aux 3	2-speed pump timing and protection
3	Pump, Aux 2, Booster/Cleaner Pump	Filter/cleaner pump timing and protection
4	Pump High, Pump Low, Booster/Cleaner Pump	2-speed and filter/cleaner pump timing and protection
5	Pump L1, Pump L2, Aux 3	1st and 2nd switch controls a 240 VAC pump, where L1 and L2 are disconnected when the pump is OFF
6	Aux 1, Aux 2, Aux 3 Heater green mode	Identical to Mode 1, with capability to run a heater when the filter pump is manually turned ON only This mode is ideal for connecting Circuit 1 to a circulation pump in a spa *
7	Pump High, Pump Low, Common Hot Leg	Identical to Mode 2, with the capability to break both hot lines of a 240 VAC two-speed pump connection

* When spa is not in use, the clock does not turn the heater ON. When spa is in use, the heater can be activated by manually switching Circuit 1 ON



PE153



PE153PF



P1353ME

ACCESSORIES

For accessories and replacement parts please see page 79.



PE20000



PE25300F

60 A Pool/Spa Control System with Type 3R Load Center

PE20000 SERIES

This system can be used as a load center only, or add mechanisms or wiring devices for complete control systems.

Applications

- Distribution/control panel

Features

- Four breaker spaces
- 3-SPST mechanism (P1353ME) controls single- and two-speed filter pumps, cleaner/booster pumps and pool/spa landscape lighting
- Includes low voltage wiring compartment.
- Load center dead front has two knockouts for switches or GFCIs
- Wiring devices may be installed in these load centers with the use of Standoffs, sold separately
- Also compatible with T100 Series

Model Number	Description
PE20000	60 A Load Center
PE25300F	60 A Load Center with P1353ME Mechanism and Freeze Protection Probe
PE25300	60 A Load Center with P1353ME Mechanism



Ratings	
Input Voltage	120/240 VAC, 50/60 Hz
Switch Type	3-SPST
Resistive	17 A, 120/240 VAC, 50/60 Hz
Tungsten	5 A, 120/240 VAC, 50/60 Hz
Motor	80 LRA @ 120/240 VAC, 50/60 Hz; 17 FLA @ 120/240 VAC, 50/60 Hz
Auxiliary Switch	2 A, 24 VAC
Enclosure Dimensions H x W x D	16.875" x 10.875" x 4.75" (428.6 mm x 276.2 mm x 120.7 mm)
Knockout Dimensions	See PE3000 Series Ratings
Warranty	1-Year limited



PE30000



PE35300

80 A Pool/Spa Control System with Type 3R Load Center

PE30000 SERIES

This system can be used as a load center only, or add mechanisms or wiring devices for complete control systems.

Applications

- Distribution/control panel

Features

- Eight breaker spaces
- 3-SPST mechanism (P1353ME) controls single and two-speed filter pumps, cleaner/booster pumps and pool/spa landscape lighting
- Includes low voltage wiring compartment.
- Load center dead front has four knockouts for switches or GFCIs
- Transformer option provides low-voltage for LED lights
- Wiring devices may be installed in these load centers with the use of Standoffs, sold separately
- Also compatible with T100 Series

Model Number	Description
PE30000	80 A Load Center
PE30000T3	80 A Load Center with 300 W Transformer
PE35300	80 A Load Center with P1353ME Mechanism



Ratings	
Input Voltage	120/240 VAC, 50/60 Hz
Switch Type	3-SPST
Resistive	17 A, 120/240 VAC, 50/60 Hz
Tungsten	5 A, 120/240 VAC, 50/60 Hz
Motor	80 LRA, 17 FLA @ 120/240 VAC, 50/60 Hz
Auxiliary Switch	2 A, 24 VAC
Enclosure Dimensions H x W x D	22.875" x 14.875" x 4.75" (581 mm x 377.8 mm x 120.7 mm)
Knockout Dimensions	
Bottom	(1) 1 1/8" diameter hole, (6) 1/2" - 3/4", (3) 3/4" - 1"
Left	(2) 1/2" - 3/4"
Right	(1) 1 3/4" x 2 3/4"
Back	(1) 3/4" - 1"
Warranty	1-Year limited

ACCESSORIES

For accessories and replacement parts please see page 79.

Remotely Operated Control System

RC2163BFE POOL/SPA COMBINATION CONTROL PANEL

This system controls Pool / Spa valve rotation, heater, single speed pump, and 120 V blowers.

Applications

- Heater thermostat control • Motor control • Pump control

Features

- Eight breaker spaces
- Use spring wound timer, toggle switch, wireless receiver/transmitter to operate equipment
- 3-Wire heater control
- (2) PE24GVA 24-V valve actuators included
- Heavy-duty Type 3R metal indoor/outdoor load center

Model Number	Description
RC2163BFE	Pool/Spa Remotely Operated Combination Control System

Note: Remote switch not included.

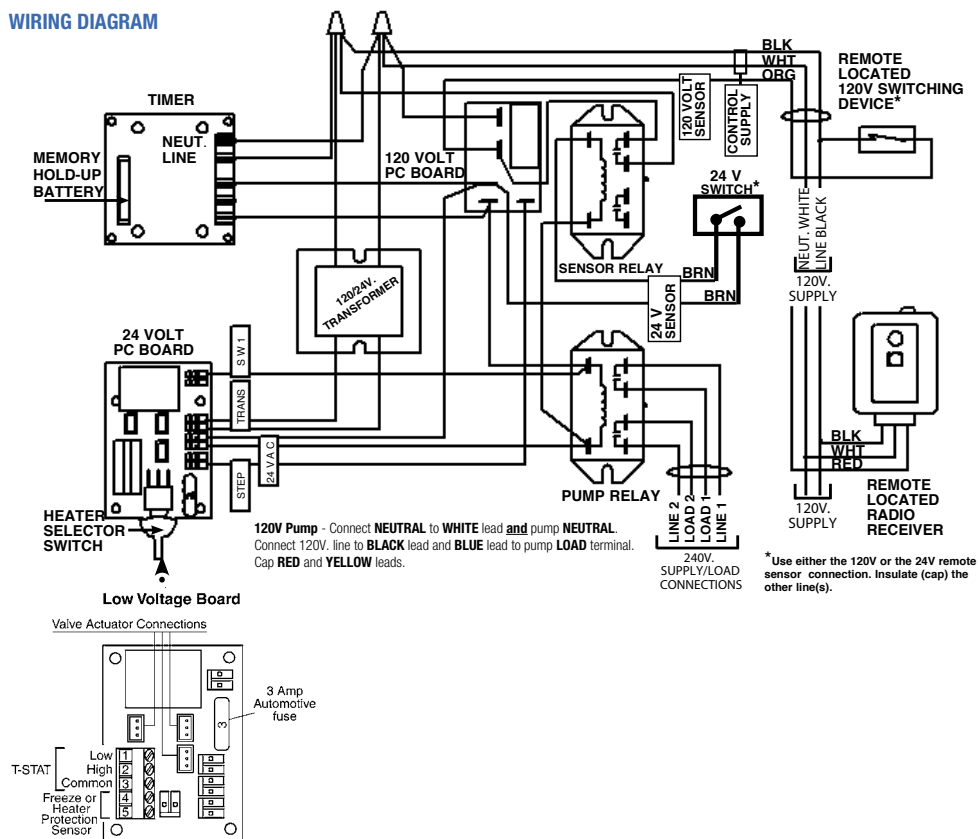


Ratings	
Load Center Rating	100 A, 120/240 VAC or 120/208 VAC, Single Phase, 60 Hz
Input Voltage	120/240 VAC, 60 Hz
Motor Load Ratings Single Speed	1 1/2 HP @ 120 VAC, 3 HP @ 240 VAC, 60 Hz
No. of Actuator Connections	3 (simultaneous rotation)
Dimensions H x W x D	16.875" x 10.875" x 4.75" (428.6 mm x 276.2 mm x 120.7 mm)
Warranty	1-Year limited

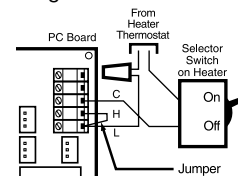


RC2163BFE

WIRING DIAGRAM

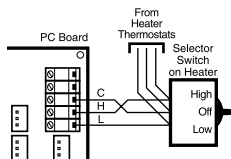


Single Thermostat Heater



1. Connect two 18 gauge wires in SERIES with Heater's Selector Switches.
2. Connect one of the wires to terminal "C" and the other to terminal "L". INSTALL JUMPER BETWEEN TERMINALS "L" AND "H".
3. Leave heater switch in ON position.

Dual Thermostat Heater



1. Connect three 18 gauge wires in PARALLEL with Heater's Selector Switches.
2. Connect the wire from central post (Common) of heater switch to terminal "C", High to "H" and Low to "L".
3. Leave heater switch in OFF position.



PA122

Water/Solar Temperature Sensor

PA122

FEATURES

- Monitors pool/spa water temperature to control conventional gas or electric heating
- Monitors water temperature for solar heating/cooling
- 1-year warranty

Model #	Description
PA122	Water/Solar Temperature Sensor, 10k OHM, For MultiWave systems



178PA28A

Freeze Probe Kit

178PA28A

FEATURES

- Monitors outside air temperature
- Protects pool/spa equipment and plumbing
- Perfect for below-freezing outdoor environments
- 1-year warranty

Model #	Description
178PA28A	Freeze Probe Kit, 10k OHM, For MultiWave systems



P4043ME



PE140

Valve Actuator Controls

P4043ME

This switching device is most suited for controlling electronic valve actuators which direct the flow of water to water features, fountains, slides, etc. It can also be used with a spring wound timer or simple switch to control fountains or other aquatic features.

APPLICATIONS

- Valve control

FEATURES

- Easily snaps into most existing Intermatic enclosures with available mechanism support bracket
- Controls up to three valve actuators (simultaneous rotation)
- Switches heater thermostat HIGH/LOW
- Remote control capabilities*

*Switch not included

Model #	Description
P4043ME	Valve Actuator Control - Mechanism Only
PE140	Valve Actuator Control, Type 3R Metal Enclosure



Ratings	
Input Voltage	120/240 VAC, 50/60 Hz
Valve Actuator Supply	24 VAC, 40 VA
Warranty	1-Year limited



PE24GVA

Next Gen 24-Volt Valve Actuator

PE24GVA

The Intermatic® PE24GVA valve actuator is designed for today's pool automation systems. It is fully adjustable with a simplified tool-less setup. This valve actuator was designed specifically with the installers and pool owners in mind. The spin and set cams make it a breeze to work with. These valve actuators are compatible with all pool/spa valves currently offered in the industry and will retrofit into all pool/spa control systems.

APPLICATIONS

- Valve control

FEATURES

- Reliable control of 2-way and 3-way diverter valves
- Easy-to-adjust cam rotates valves to multiple settings
- Compatible with all pool/spa valves and controls

Model #	Description
PE24GVA	24-Volt Valve Actuator



Ratings	
Valve Actuator Supply	24 VAC, 60 Hz
Amp	0.75 A
Cord Length	25 ft
Warranty	1-Year limited



PF1112T

PF1222TB1



Ratings	
Power Center Rating	120/240 VAC, 60 Hz, Single-Phase
Load Center Rating	60 A Max, 120-240 VAC, Single Phase 60 Hz
Operating Voltage	240 VAC, 60 Hz
Switch Type	DPST
Resistive	17 A, 240 VAC, 60 Hz
Motor	3 HP, 240 VAC, 60 Hz
Thermostat Range	33°F - 42°F (0.5°C - 5.6°C)
Power Center Dimensions H x W x D	12" x 12.875" x 4.25" (304.8 mm x 327 mm x 108 mm)
Load Center Dimensions H x W x D	16.875" x 10.875" x 4.75" (428.6 mm x 276.2 mm x 120.7 mm)
Warranty	1-Year limited

Control System with Freeze Protection and Power or Load Center

PF1100 & PF1200 SERIES MECHANICAL PANELS

Protects pool/spa equipment against freeze damage.

APPLICATIONS

- Protection • Pump control

FEATURES

- GFCI and switch mounting capabilities
- Turns pump and heater ON when outdoor temperature drops below user-adjustable setpoint on thermostat
- Heavy-duty Type 3R metal indoor/outdoor enclosure

Model #	Description	Heater Protection
PF1112T	Freeze Protection Control Center with Timer and Thermostat for 240V Applications, Type 3R Metal Enclosure	No
PF1202T	Freeze Protection Control Center with 2 Timers and Thermostat for 240V Cleaner Applications, Type 3R Metal Enclosure	No
PF1222TB1*	Freeze Protection 4/8 Breaker Base Panel with 2 Timers and Thermostat for 240V Cleaner Applications, Heater Protection, Type 3R Metal Enclosure	Yes

*Four breaker spaces and heater protection

Note: Wiring devices may be installed in these Load Centers with the use of Standoffs.



PF1102M

PF1102T



Ratings	
Operating Voltage	
PF1102	240 VAC, 60 Hz
PF1103	120-240 VAC, 60 Hz
HP	
PF1102	3 HP @ 240 VAC, 60 Hz
PF1103	1 1/2 HP @ 120 VAC, 3 HP @ 240 VAC, 60 Hz
Thermostat Range	33°F - 42°F (0.5°C - 5.6°C)
Enclosure Dimensions H x W x D	9.625" x 5.75" x 3.625" (244.5 mm x 146.1 mm x 92.1 mm)
Knockout Dimensions	
Bottom	(2) 1/2" - 3/4"
Left	(1) 1/2" - 3/4"
Back	(4) 1/2" - 3/4", (1) 1/2" - 3/4"
Right	(1) 1/2" - 3/4"
Warranty	1-Year limited

Single-Circuit Freeze Protection Controls

PF1100 MECHANICAL SERIES

Protects pool/spa equipment against freeze damage. Turns pump and heater on when the outdoor temperature drops. Integrated adjustable thermostat.

APPLICATIONS

- Protection • Pump control

FEATURES

- Turn pump and heater ON when outdoor temperature drops below user-adjustable setpoint on thermostat
- Models with or without mechanical timer mechanism
- Heavy-duty metallic rainproof enclosure
- For use with pool and spa, pond, fountain or marina type applications

Model #	Description
PF1102M*	Freeze Protection Thermostat only for 240V Applications, Mechanism
PF1102	Freeze Protection Thermostat only for 240V Applications, Type 3R Metal Enclosure
PF1103	Freeze Protection Thermostat only for 120/240V Applications, Type 3R Metal Enclosure
PF1102MT	Freeze Protection Timer with Thermostat for 240V Applications, Mechanism
PF1103MT*	Freeze Protection Timer with Thermostat for 120/240V Applications, Mechanism
PF1102T	Freeze Protection Timer with Thermostat for 240V Applications, Type 3R Metal Enclosure
PF1103T	Freeze Protection Timer with Thermostat for 120/240V Applications, Type 3R Metal Enclosure

*Neutral must be installed

Outdoor Radio Receivers

RC600 SERIES

Control loads with the receiver mounted ON/OFF button or wirelessly via a remote transmitter. For indoor/outdoor use. Turn your pool lights on from any spot around your house.

APPLICATIONS

- Motor control • Pump control • Lighting

FEATURES

- Respond to handheld transmitter (provided separately below)
- For indoor/outdoor use
- Handle a variety of switching applications
- Enable connected loads to be turned ON/OFF remotely
- Maximum range 100 ft
- Beige outdoor grade plastic enclosure

Model #	Description
RC613	Radio Receiver with manual ON/OFF button
RC613L	Radio Receiver with manual ON/OFF button -- (3) 36" Long Leads
RC613R	Heavy-Duty Receiver Module with Manual ON/OFF button



RC613R



RC613



Ratings	
RC613/RC613L	
Switch Type	SPST
Resistive	20 A, 120 VAC, 60 Hz
Tungsten	10 A, 1200 W, 60 Hz
Motor	1 HP, 120 VAC, 60 Hz
RC613R	
Switch Type	DPST
Resistive	30 A, 120/240 VAC, 60 Hz
Tungsten	12.5 A, 1500 W, 60 Hz
Motor	1 1/2 HP @ 120 VAC, 3 HP @ 240 VAC, 60 Hz
Enclosure H x W x D	
RC613/RC613L	4.5" x 3" x 1.75" (114.3 mm x 76.2 mm x 44.5 mm)
RC613R	8" x 4.25" x 3.375" (203.2 mm x 108 mm x 85.7 mm)
Warranty	1-Year limited

Handheld 3-Channel Radio Transmitter

RC939

Transmit signals to the RC family of radio receivers for remote ON/OFF control. Controls shared pool/spa equipment including booster pump. Operates up to three RC600 series receivers.

APPLICATIONS

- Motor control • Pump control • Lighting

FEATURES

- Operates up to three RC600 Series receivers
- Range 100 ft.
- Replaceable battery

Model #	Description	Range	Battery
RC939	Handheld 3-Channel Radio Transmitter	100 ft*	CR2032

*Range depends on many factors including age of battery, proximity of large metal objects, location of receiver, and environmental conditions at the time of transmission.



RC939



Ratings	
Dimensions H x W x D	2.5" x 1.25" x 1/2" (63.5 mm x 31.8 mm x 12.7 mm)
Warranty	1-Year limited

ACCESSORIES

For accessories and replacement parts please see page 79.



RC2343PT

Multifunction Air Switches with 24-Hour Timer RC2000 SERIES

Control ON/OFF timing safely, without electricity, near the water.

APPLICATIONS

- Pump control • Motor control

FEATURES

- Remote control for one or two separate loads
- Multiple ON/OFF settings per day
- Flexible air hose (RC117 sold separately) enables operation up to 100 feet
- Type 3R plastic indoor/outdoor enclosure
- Requires a neutral

Ratings	
Input Voltage	120-240 VAC, 60 Hz
Switch Type	4-Function
Switch Ratings (Each Circuit)	
Resistive	20 A, 120/240 VAC, 60 Hz
Motor	1 HP, 120 VAC, 60 Hz, 2 HP, 240 VAC, 60 Hz
Enclosure H x W x D	9 5/8" x 5 3/4" x 3 5/8" (244.5 mm x 146.1 mm x 92.1 mm)
Warranty	1-Year limited

Model #	Description
RC2343PT	One or Two Speed Pump and Blower ON/OFF with Timer



RC4G



RC127B



RC117



RC510

Air Switches and Accessories RC SERIES

Used for air controlled equipment

APPLICATIONS

- Motor control • Pump control

FEATURES

- Replaces existing buttons and accessories

Model #	Description
RC4G	1" Gunitite Air Button - 100 ft Range
RC6F	1 1/2" Fiberglass Air Button - 100 ft Range
RC117	Air Tubing - 75 ft Length
RC127B	Air Tubing and Air Button (RC4G) - 75 ft Length
RC150	Air Tubing - 500 ft Length
RC510	Air Tubing Coupler (pack of 10)

ACCESSORIES

For additional accessories and replacement parts please see page 79.



PB873MKZ



PB913N/PB914N



PB913N66/PB914N66



PB913N84/PB914N84

Panel Mount Timers

PB SERIES

These timers provide automatic control for pumps, cleaners and other types of loads. Timers have three-way mounting; flush in round opening, raised in rectangular opening or on base. Quick connect terminals for easy installation.

APPLICATIONS

- Motor control • Pump control

FEATURES

- Automated control for pumps, cleaners and other types of loads
- 3 different mounting methods
- Quick connect terminals for easy installation
- 24-hour timing cycle - MIN ON time 1-hr, MAX ON time 23-hr, 30-min intervals
- 7-day timing cycle - 6 to 162-hr ON time, 3-hr intervals

Model #	Description	Input Voltage	No. of Trippers	Manual Override
Without Manual Override				
PB873MKZ	7-Day 120V Mechanical Panel Mount Timer, 56 Trippers	120 VAC, 60 Hz	56	No
PB913N	24-Hour 120V Mechanical Panel Mount Timer, 48 Trippers	120 VAC, 60 Hz	48	No
PB914N	24-Hour 208-277 V Mechanical Panel Mount Timer, 48 Trippers	208-277 VAC, 60 Hz	48	No
With Manual Override				
PB913N66	24-Hour 120V Mechanical Panel Mount Timer with Manual Override, 48 Trippers	120 VAC, 60 Hz	48	Yes
PB914N66	24-Hour 208-277 V Mechanical Panel Mount Timer with Manual Override, 48 Trippers	208-277 VAC, 60 Hz	48	Yes
PB913N84	24-Hour 120V Mechanical Panel Mount Timer with Manual Override, 4 Trippers	120 VAC, 60 Hz	4	Yes
PB914N84	24-Hour 208-277V Mechanical Panel Mount Timer with Manual Override, 4 Trippers	208-277 VAC, 60 Hz	4	Yes



Ratings	
Switch Type	SPST
Resistive	20 A (16 A*), 120-277 VAC, 60 Hz
Tungsten	1250 W, 125 VAC, 60 Hz
Pilot Duty	360 VA, 120-240 VAC, 60 Hz
Motor	1 HP, 16 FLA @ 120 VAC, 60 Hz, 2 HP, 12 FLA @ 240 VAC, 60 Hz
Quick Connect Terminals	(4) 1/4" male (2) for load (2) for independent clock motor, Terminals
Dimensions H x W x D	3.333" x 2.813" x 1.953" (84.6 mm x 71.4 mm x 49.6 mm)
Warranty	1-Year limited

*(16A) CSA

ACCESSORIES

For accessories and replacement parts please see page 79.



DT200LT



Ratings	
Operating Voltage	120 VAC, 60 Hz
Resistive	15 A, 120 VAC, 60 Hz
Inductive	12 A, 120 VAC, 60 Hz
Motor	1/2 HP @ 120 VAC, 60 Hz
Dimensions H x W x D	3 3/16" x 3 5/16" x 2 1/4" (81 mm x 84 mm x 57 mm)
Warranty	1-Year limited

Digital Landscape Timer

DT200LT SERIES

Digital 24-hour landscape timer with DST, rated for use in low voltage transformers up to 1200W featuring ON programming at Dusk or predetermined time and OFF at Dawn or predetermined time.

APPLICATIONS

- Indoor lighting control • Outdoor lighting control • Landscape water control

FEATURES

- Factory set AUTO DST option takes the hassle out of Daylight Saving Time adjustments
- One push, programming override for homeowner convenience
- Rated for use in low voltage transformers up to 1200 W
- An operating temperature range of -40° F to 122° F (-40° C to 50° C) for steady performance in all types of climates
- Two included LR44 batteries retain the correct time and settings for up to three months without power
- Use with UL Certified Type 3R enclosure (sold separately)
- Intermatic Linesync technology provides accurate timing for years

Model #	Amp/Supply Voltage	Rcpt/Plug
DT200LT	15 A, 120 VAC, 60 Hz	5-15



P1101



P1121



P1131



Ratings	P1101	P1121	P1131
Resistive	15 A, 120 VAC, 60 Hz	15 A, 120 VAC, 60 Hz	20 A, 120 VAC, 60 Hz
Tungsten/Incandescent	1800 W, 120 VAC, 60 Hz	1800 W, 120 VAC, 60 Hz	—
FLA/LRA	1 HP, 15 FLA, 90 LRA @ 120 VAC	1 HP, 15 FLA, 90 LRA @ 120 VAC	1 HP, 16 FLA, 96 LRA @ 120 VAC
Dimensions H x W x D	5 3/8" x 5 1/8" x 2 1/2" (137 mm x 130 mm x 64 mm)	5 3/8" x 3 3/8" x 3 1/4" (143 mm x 92 mm x 83 mm)	5 3/8" x 5 1/8" x 2 1/2" (137 mm x 130 mm x 64 mm)
Warranty	1-Year limited	1-Year limited	1-Year limited

Outdoor Mechanical Plug-In Timers With Built-In Enclosure

P1100 SERIES

These plug-in timers are grounded and utilize a flip-open enclosure rated for outdoor use. These heavy-duty timers are great for providing timer function to pumps, landscaping or holiday lighting. 24-hour timers come with 2 On and 2 Off settings.

APPLICATIONS

- Outdoor lighting control • Landscape water control • Pool pump
- Outdoor Water Fountains

FEATURES

- 2 ON/2 OFF settings per day with removable trippers, more ON/OFF events with addition of extra trippers
- Minimum 30-min ON/OFF time
- Built into outdoor rated enclosure with clear or black flip cover
- Grounded standard or locking type style NEMA plug and receptacle
- Plugs directly into wall outlet

Model #	Rcpt/Plug	Cord Length	Cover
P1101	5-15	22"	Black
P1121	5-15	13"	Black
P1131	L5-20	22"	Black

Electronic Panel Mount Timers

PB300 SERIES

These compact Electronic Timers are specially suited for applications where equipment needs to be cycled ON and OFF up to 8 times per day, and where automatic operation of the equipment requires occasional override by someone other than a qualified service professional. They offer rugged construction, resistance to surges and humidity, operate between wide temperature extremes and come with a 5 year service life replaceable lithium battery. A light indicator illuminates when the timer is in the ON position. Select feature allows timers to be continuously ON, OFF or in AUTO mode.

APPLICATIONS

- Motor control • Pump control

FEATURES

- 24-hour and 7-day models
- Turn equipment ON/OFF up to 8 times per day
- Select feature enables timers to be continuously in ON/OFF/AUTO mode
- Rugged construction
- Beige, plastic enclosure
- 3-year service life replaceable lithium battery

Model #	Resistive/Supply Voltage	HP/FLA
24 hour		
PB313E	16 A, 120 VAC, 50/60 Hz	1/2 HP, 8 FLA @ 120 VAC, 50/60 Hz
PB313EK*	16 A, 120 VAC, 50/60 Hz	1/2 HP, 8 FLA @ 120 VAC, 50/60 Hz
PB314E	16 A, 240 VAC, 50/60 Hz	1/2 HP, 8 FLA @ 240 VAC, 50/60 Hz
PB314EK*	16 A, 240 VAC, 50/60 Hz	1/2 HP, 8 FLA @ 240 VAC, 50/60 Hz
7 day		
PB373E**	20 A, 120 VAC, 50/60 Hz	1 HP, 16 FLA @ 120 VAC, 50/60 Hz
PB374E**	20 A, 240 VAC, 50/60 Hz	2 HP, 12 FLA @ 240 VAC, 50/60 Hz

*EK models are replacement kits for PB Series timers.

**Output voltage is same as supply.



PB313E

PB373E



Ratings

Switch Type	
24-Hour Model	SPDT
7-Day Models	SPST
Dimensions	2.375" x 2.375" x 1.0625"
H x W x D	(60.3 mm x 60.3 mm x 27 mm)
Warranty	1-Year limited

Electronic Time Switch Mechanisms

P7103ME

These digital time switches allow multiple ON/OFF cycles within a 24-hour time period for up to seven days.

APPLICATIONS

- Motor control • Pump control

FEATURES

- Turn equipment ON/OFF up to 8 times per day
- To-the-minute programming accuracy
- Dual-voltage input (3-wire)
- Timer override
- Select feature enables timers to be continuously in ON/OFF/AUTO mode
- 3-year service life, replaceable lithium battery

Model #	Description
P7103ME	7-Day Electronic Time Switch Mechanism - Mechanism Only

*Standard mechanism fits in all standard Intermatic enclosures and power and load centers.



P7103ME



Ratings

Input Voltage	120 VAC, 50/60 Hz
Switch Type	DPST
Resistive	20 A, 120/240 VAC, 50/60 Hz
Tungsten	12.5 A (1500 W), 120 VAC, 50/60 Hz
Motor	1 1/2 HP @ 120 VAC, 50/60 Hz; 3 HP @ 240 VAC, 50/60 Hz
Dimensions	9.4375" x 6.5" x 3.6875"
H x W x D	(239.7 mm x 165.1 mm x 93.7 mm)
Warranty	1-Year limited



P1251P

Two-Circuit Portable Outdoor Timers

P1200 SERIES

Use these convenient plug-in timers instead of hard-wired controls. They offer plug-in receptacles for convenience and ease of use. They have built-in GFCI protected circuits.

APPLICATIONS

- Landscape lighting • Motor control • Pump control

FEATURES

- 24-hour with 23 ½-hour MAX ON time
- Timed circuit controlled by timer
- Timed and photocontrol circuit controlled by photocell and timer (P1251P only)
- Built-in GFCI protected circuits and three-prong grounded plug for time switch supply
- Type 3R plastic indoor/outdoor enclosure
- 2 ON/OFF trippers standard
- Accepts up to 12 sets of trippers



Ratings	
Resistive	15 A, 1800 W, 60 Hz
Tungsten	15 A, 1800 W, 60 Hz
Motor	1 HP, 15 FLA, 90 LRA @ 120 VAC
Dimensions H x W x D	9.375" x 5.5" x 4" (238.1 mm x 139.7 mm x 101.6 mm)
Cord	3 wire, outdoor grade, 24" with grounded plug
Warranty	1-Year limited

Model #	Photocontrol	Rect/Plug
P1251P	Yes	5-15
P1261P	No	5-15

ENCLOSURES



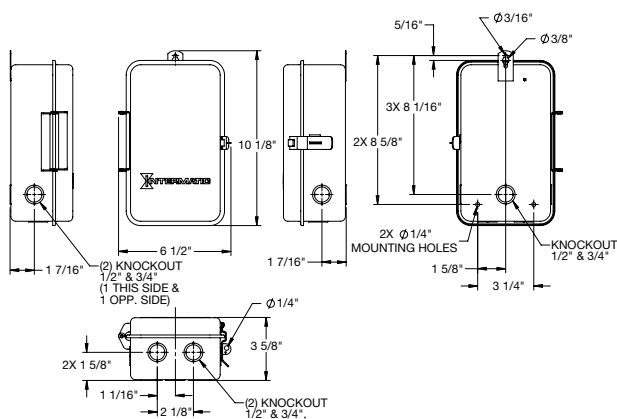
2T2485GA



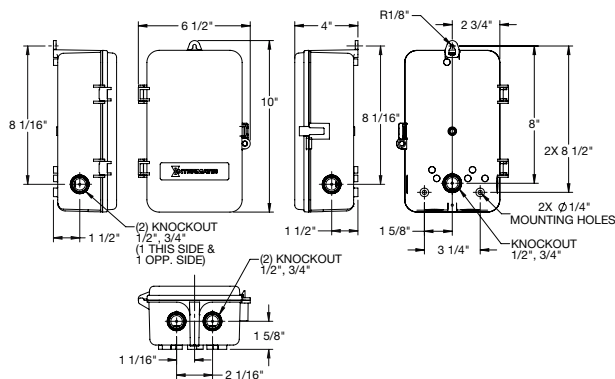
2T2502GA

Model #	Description
2T2483GR	Flush Mount Metal, Type 1
2T2485GA	Case-Outdoor, Type 3R Metal, Beige
2T2502GA	Case-Outdoor, Type 3R Plastic, Beige
2T2503A	Case-Outdoor, Type 3R Plastic, Beige

2T2485GA Dimensions



2T2502GA Dimensions



ACCESSORIES

Model #	Description
119--00085	Transformer - 100 W, 120 V, 60 Hz
124--00066	Insulator for 3-Circuit Timers
124--00139A	Insulator breaker base 4 pole
124-00140A	Insulator breaker base 8-pole
107HB254	Green (ON) tripper for HB11, HB1113RC, HB1116R, HB3116R8, P1121 (Outdoor)
107HB255	Red (OFF) tripper for HB11, HB1113RC, HB1116R, HB3116R8, P1121 (Outdoor)
124T1952	Insulator (Black) for Double-Pole Time Switch (T103, T104, T105, T173, T174, T175, T176, T185, WH40)
124T2411A	Insulator for Mechanical Time Switches - 10 Pack
133RC1144	Pressure Sensing Momentary Air Switch - 3 A
143RC140	Relay - 4-Function Stepper
143RC151	Relay - DPST, 3 HP, 24 VAC
143T145A	Relay - DPST, 3 HP, 24 VDC
119T267	Transformer - 100 W, 120 V, 60 Hz
119T340	Transformer - 300 W, 120 V, 60 Hz
143T135	Relay - DPST, 3 HP, 240 VAC
143T136	Relay - DPST, 3 HP, 120 VAC
156PB10398A	Trippers - Clip, ON/OFF, 24-Hr for PB and PF1100 Series
156T1978A	Extra/replacement trippers 1 ON and 1 OFF
156T4042A	Fireman Switch
156T6738A	Orange Vinyl Cushion/Insulator for Time Switch Manual Lever, 10 pack
178PA28A	Freeze Probe Kit, 10k OHM, For MultiWave systems
178T24	Freeze Protection Thermostat
178T26A	TSTAT ASY-FREEZE PROTECT (contains 178T24) For PF1xxx Freeze Protection units
21T156A	Spacer-Standoff, 3" long - 4 pack
21T166A	Spacer-Standoff, 3" long - 2 pack
22T904A	Breaker Hold-Down Kit (If breaker is used as a backfed device)
6LV1352	Light Shield Accessory for EK4036S, EK4436SM, K4000 Series Button Photocontrols
PA102	Switch Assembly with Thermostat and Relay
PA114	Mounting Bracket for Pool/Spa Light Junction Boxes
PA115	Trippers - OFF - 25 pack
PA117	Replacement Latch Kit
PA119	Mounting Bracket for PJBX52100 COMBOConnect®
PA122	Water/Solar Temperature Sensor, 10k OHM, For MultiWave systems
PE653	5 Circuit Wireless Receiver Multi-wave
PE953	Wireless Remote, MultiWave systems
WG1570-10	WG1570-10
WG1573-10D	208-277 VAC, 60 Hz Motor for T102, T104, T106, T172, T174, WH40
WP1000C	Plastic In-Use Weatherproof Cover, Single-Gang, Vrt, 2.25" Clear
WP5100C	Extra-Duty Plastic In-Use Weatherproof Cover, Single-Gang, Vrt/Hrz, 2.75" Clear



PA119



22T904A



143T135



143RC140



PA115



156PB10398A



178T24



119--00085

NOTES

A large rectangular area with a blue border, containing numerous horizontal blue lines for writing notes.

NOTES

Lined area for taking notes, consisting of numerous horizontal blue lines.

Intermatic Incorporated
Global Headquarters
1950 Innovation Way, Suite 300
Libertyville, IL 60048
www.intermatic.com
+1 815 675 7000

Intermatic de Mexico S. de R.L. de C.V.
Juárez Manufacturing
AV. Don Manuel Talamas No. 405.
Parque Industrial Independencia I.
Juarez, CP 32575
Mexico

Intermatic Incorporated
El Paso Warehouse/Distribution
12429 Rojas Drive
El Paso, TX 79928

Intermatic Canada ULC
Canadian Sales Office
1200 Cardiff Boulevard Mississauga,
Ontario L5S 1P6
Canada
+1 905 696 7621

Africa/Asia/South & West Europe/
Middle East/United Kingdom
Intermatic UK Limited
United Kingdom
+44 7845 669135

Intermatic Far East LLC
Asia Sales Office
Intermatic Far East
Enterprise Square 1002 Tower 3
9 Sheung Yuet RD
Kowloon, Hong Kong
+852 2340 3209

Heat Pumps | Filters | Timers | Transformers | Load Centers
Pumps | Spa Air Blowers | Automation Systems



Intermatic.com
Intermatic Incorporated

©2023 Intermatic 300PS10320

