



PRODUCT CATALOGUE METERS

Products for reliable detection of energy consumption and operating hours

Meters: Easily make energy consumption and operating hours visible

Energy and
hour meters

Excellent products

The lead-sealable energy and hour meters from Grässlin count, measure and monitor energy consumption in private households, industry, small trades or building engineering services. They help to encourage energy efficiency and to conserve resources and thus save power and money.

Impressive benefits

Grässlin energy meters are available in analogue and digital designs as well as with a MID certificate for commercial use. The hour meters can be individually adapted for each application area through accessories. All of them are maintenance-free, robust and reliable; they help to determine operating costs or to document maintenance intervals.



Table of Contents

► Energy meter

Overview	06
Energy meters – Selection guide	08
Digital energy meters	10
taxxo E	10
Analogue energy meters	16
taxxo M	16

► Hour meters

Overview	18
Hour meters – Selection guide	20
Surface mounting hour meters	22
taxxo 100	22
Built-in mounting hour meters	24
taxxo 112	24
taxxo 612	26
taxxo 712	28
DIN rail mounting hour meters	30
taxxo 403	30

Energy meters: The ideal solution for making energy consumption visible

WIDE SELECTION, VARIETY OF APPLICATIONS

taxxo product line

The taxxo M analogue energy meter product family, as well as the digital models of the taxxo E product family are both suitable for mounting on DIN rails.

The devices taxxo M 45-1, taxxo ER 80-1 and taxxo 45-1-MID are single-phase meters. With only one or two module widths, they provide a very simple and cost effective method for billable counting of energy consumption. The taxxo product line devices are mainly used for the measurement of electric power consumption in office complexes, camping and garden facilities, apartment buildings or charging stations for electric cars.

The taxxo E 100-3 MID has a three-phase connection, thereby enabling the recording of consumption of multiple consumers via a three-phase circuit. Due to its high voltage recording, the device is suitable mainly for accounting in industrial plants, shopping malls, exhibition halls or marinas.



taxxo analogue and digital energy meters reliably measure the active energy of an AC or three-phase circuit.

 **Energy meter**

Energy meters – Selection guide	08
Digital energy meters	10
taxxo ER 80-1	10
taxxo E 45-1-MID	12
taxxo E 100-3-MID	14
Analogue energy meters	16
taxxo M 45-1	16

Energy meters – Selection guide

taxxo ER 80-1

taxxo E 45-1-MID



Number of modules	2	1
Number of phases	1	1
Resolution	0.1 kWh	0.01 kWh
Wired	2-wire	2-wire
Accuracy class	1	B (MID)
Impulse duration	90 ms	90 ms
Power consumption	8 VA	8 VA
Maximum current (I _{max})	80 A	45 A
Standards and guidelines	DIN 43684 IEC 62052-11 IEC 62053-21	DIN 43684 EN 50470-1 EN 50470-3
Temperature (operation)	-20° C ... +65° C	-25° C ... +55° C
Consumption indicator	Digital (2 x 6 digits) kWh Total kWh	Digital (7 digits) kWh
Power loss	0.4 W	0.4 W
Supply voltage	AC 230 V ± 20 % 50-60 Hz	AC 230 V ± 20 % 50 Hz ± 10 %

Page

10

12

taxxo E 100-3-MID

taxxo M 45-1



7	1
3	1
0.1 kWh	0.1 kWh
4-wire	2-wire
B (MID)	1
30 - 80 ms	90 ms
10 VA	8 VA
100 A	45 A
DIN 43684	DIN 43684
EN 50470-1	IEC 62052-11
EN 50470-4	IEC 62053-21
-25° C ... +55° C	-20° C ... +65° C
Digital (7 digits) kWh	Analogue (6 digits) kWh
2 W	0.4 W
AC 230 V ± 20 % 50 Hz ± 10 % AC 400 V ± 20 % 50 Hz ± 10 %	AC 230 V ± 20 % 50-60 Hz

14

16

Energy meter – taxxo ER 80-1

ITEM NR. 05.25.0003.1 / EAN CODE 4010940044107



PRODUCT DESCRIPTION

The taxxo ER 80-1 is a single-phase meter. The illuminated LC display can display two lines each with up to six digits. Equipped with a reset function, the intermediate meter can be set to zero at any time. This means yet more simple monitoring of consumption at a location, e.g. for cost control of important power consumers.

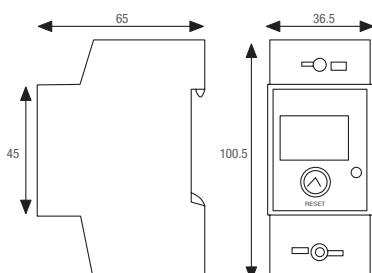
- ▶ Superior manipulation protection through lead-sealable housing
- ▶ Signalisation of the facility's condition through LED



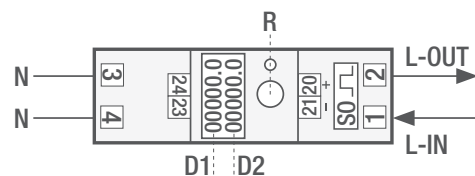
APPLICATION AREAS

- ▶ Electrical energy consumption measurement
- ▶ Electrical heating facilities
- ▶ Installation in industrial and switching facilities
- ▶ Office complexes
- ▶ Camping and gardening facilities
- ▶ Separate areas, e.g. in apartment buildings
- ▶ Charging stations for electric cars
- ▶ Control cabinets
- ▶ Shopping centres
- ▶ Exhibition halls
- ▶ Marinas

DIMENSION DRAWINGS



CIRCUIT DIAGRAM



TECHNICAL DATA

Electrical Data

Interface	S0
Supply voltage	AC 230 V ± 20 % 50-60 Hz
Phase	1
Withstand voltage at mains frequency	4 kV
Rated impulse withstand voltage (Uimp)	6 kV
Impulse voltage	DC 12-27 V
Base current (Ib)	5 A
Initial current	0.004 Ib
Maximum current (Imax)	80 A
Minimum current (Imin)	0.25 A
Impulse current	27 mA
Impulses	1,000 Impulse/kWh
Impulse duration	90 ms
Power consumption	8 VA
Power loss	0.4 W
Accuracy class	1

Electric connection

Device	Screw terminal with wire protection 6 mm ² ... 16 mm ²
Cable length	20 m

Communication type

Wired	2-wire
Status indicator	LED

Operating data

Operating mode	Reset function
Manipulation protection	Lead-sealable

Display and format

Consumption indicator	Digital (2 x 6 digits) kWh Total kWh
Status indicator	Pulse indicator (LED) Sensor status indicator

Operating conditions

Temperature (operation)	-20° C ... +65° C
-------------------------	-------------------

General data

Number of modules	2
Colour	Grey
Mounting	DIN rail

Standard compliance

Protection type	IP51
Protection class	II, according to corresponding mounting
Approval mark	CE

Energy meter – taxxo E 45-1-MID

ITEM NR. 05.25.0002.1 / EAN CODE 4010940044091



PRODUCT DESCRIPTION

The taxxo E 45-1-MID is a digital single-phase meter. With only one module width, the device provides the easiest and least expensive method for billable counting of energy consumption. The taxxo E 45-1-MID has a high resolution display with two decimal places on which the energy consumption is displayed.

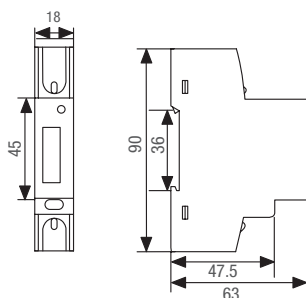
- ▶ High accuracy and maximum reliability through MID certification for custody transfer
- ▶ Superior manipulation protection through lead-sealable housing
- ▶ Signalisation of the facility's condition through LED



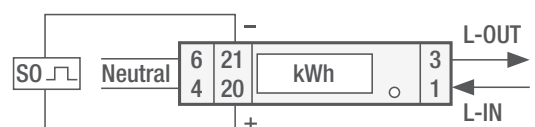
APPLICATION AREAS

- ▶ Electrical energy consumption measurement
- ▶ Electrical heating facilities
- ▶ Installation in industrial and switching facilities
- ▶ Office complexes
- ▶ Camping and gardening facilities
- ▶ Separate areas, e.g. in apartment buildings
- ▶ Charging stations for electric cars
- ▶ Shopping centres
- ▶ Exhibition halls
- ▶ Marinas

DIMENSION DRAWINGS



CIRCUIT DIAGRAM



TECHNICAL DATA

Electrical Data

Interface	S0
Supply voltage	AC 230 V ± 20 % 50 Hz ± 10 %
Phase	1
Withstand voltage at mains frequency	4 kV
Rated impulse withstand voltage (Uimp)	6 kV
Impulse voltage	DC 12-27 V
Base current (Ib)	5 A
Initial current	0.004 Ib
Maximum current (Imax)	45 A
Minimum current (Imin)	0.25 A
Impulse current	27 mA
Impulses	1,000 Impulse/kWh
Impulse duration	90 ms
Power consumption	8 VA
Power loss	0.4 W
Accuracy class	B (MID)

Electric connection

Device	Screw terminal with wire protection 4 mm ² ... 6 mm ²
Cable length	20 m

Communication type

Wired	2-wire
Status indicator	LED

Operating data

Manipulation protection	Lead-sealable
-------------------------	---------------

Display and format

Consumption indicator	Digital (7 digits) kWh
Status indicator	Pulse indicator (LED) Sensor status indicator

Operating conditions

Temperature (operation)	-25° C ... +55° C
-------------------------	-------------------

General data

Number of modules	1
Colour	Grey
Mounting	DIN rail

Standard compliance

Protection type	IP51
Protection class	II, according to corresponding mounting
Approval mark	CE MID

Energy meter – taxxo E 100-3-MID

ITEM NR. 05.25.0004.1 / EAN CODE 4010940044114



PRODUCT DESCRIPTION

The taxxo E 100-3-MID is most suitable for monitoring more than just one consumer. This energy meter covers seven module widths. The three-phase connection allows the recording of consumption of multiple users over a three-phase circuit. The device is suitable for billing in multi-party houses, in shopping malls or at camp sites and marinas. The amount of energy consumed per shift can be verified in shift work.

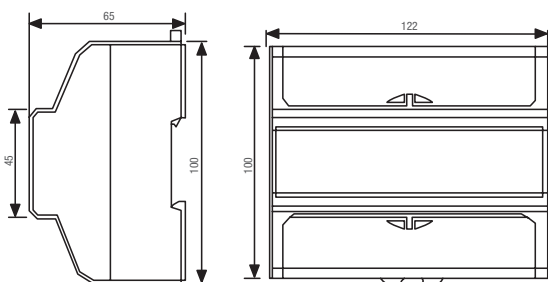
- ▶ High accuracy and maximum reliability through MID certification for custody transfer
- ▶ Superior manipulation protection through lead-sealable housing
- ▶ Signalisation of the facility's condition through LED



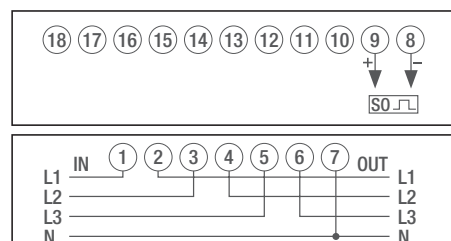
APPLICATION AREAS

- ▶ Electrical energy consumption measurement
- ▶ Electrical heating facilities
- ▶ Installation in industrial or switching systems or other consumers of heavy current, power current, construction current and three-phase current
- ▶ Office complexes
- ▶ Camping and gardening facilities
- ▶ Separate areas, e.g. in apartment buildings
- ▶ Shopping centres
- ▶ Exhibition halls
- ▶ Marinas
- ▶ Building services and wear monitoring for plants or machines

DIMENSION DRAWINGS



CIRCUIT DIAGRAM



TECHNICAL DATA

Electrical Data

Interface	S0
Supply voltage	AC 230 V ± 20 % 50 Hz ± 10 % AC 400 V ± 20 % 50 Hz ± 10 %
Phase	3
Withstand voltage at mains frequency	4 kV
Rated impulse withstand voltage (Uimp)	6 kV
Impulse voltage	DC 12-27 V
Base current (Ib)	5 A
Initial current	0.004 Ib
Maximum current (Imax)	100 A
Minimum current (Imin)	0.25 A
Impulse current	27 mA
Impulse	1,000 Impulse/kWh
Impulse duration	30 - 80 ms
Power consumption	10 VA
Power loss	2 W
Accuracy class	B (MID)

Electric connection

Device	Screw terminal with wire protection 18 mm ² ... 28 mm ²
Cable length	20 m

Communication type

Wired	4-wire
Status indicator	LED

Operating data

Manipulation protection	Lead-sealable
-------------------------	---------------

Display and format

Consumption indicator	Digital (7 digits) kWh
Status indicator	Pulse indicator (LED) Sensor status indicator

Operating conditions

Temperature (operation)	-25° C ... +55° C
-------------------------	-------------------

General data

Number of modules	7
Colour	Grey
Mounting	DIN rail

Standard compliance

Protection type	IP51
Protection class	II, according to corresponding mounting
Approval mark	CE MID

Energy meter – taxxo M 45-1

ITEM NR. 05.25.0001.1 / EAN CODE 4010940044084



PRODUCT DESCRIPTION

The taxxo M 45-1 is an analogue single-phase meter. It is suitable for mounting on DIN rails and takes up very little space in your control cabinet with only one module width. Even without additional power supply, the taxxo M 45-1 reliably displays the counted value at any time, which is why it is used frequently in the private sector.

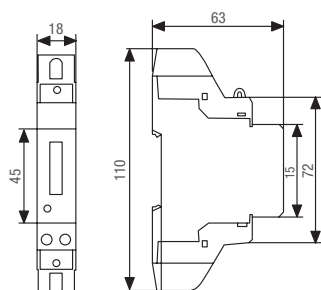
- ▶ Superior manipulation protection through lead-sealable housing
- ▶ Signalisation of the facility's condition through LED



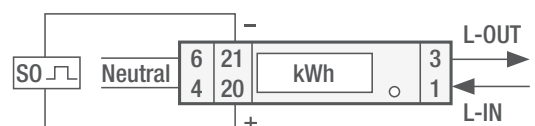
APPLICATION AREAS

- ▶ Electrical energy consumption measurement
- ▶ Electrical heating facilities
- ▶ Installation in industrial and switching facilities
- ▶ Office complexes
- ▶ Camping and gardening facilities
- ▶ Separate areas, e.g. in apartment buildings
- ▶ Shopping centres
- ▶ Exhibition halls
- ▶ Marinas

DIMENSION DRAWINGS



CIRCUIT DIAGRAM



TECHNICAL DATA

Electrical Data

Interface	S0
Supply voltage	AC 230 V ± 20 % 50-60 Hz
Phase	1
Withstand voltage at mains frequency	4 kV
Rated impulse withstand voltage (Uimp)	6 kV
Impulse voltage	DC 12-27 V
Base current (Ib)	5 A
Initial current	0.004 Ib
Maximum current (Imax)	45 A
Minimum current (Imin)	0.25 A
Impulse current	27 mA
Impulse	1,000 Impulse/kWh
Impulse duration	90 ms
Power consumption	8 VA
Power loss	0.4 W
Accuracy class	1

Electric connection

Device	Screw terminal with wire protection 4 mm ² ... 6 mm ²
Cable length	20 m

Communication type

Wired	2-wire
Status indicator	LED

Operating data

Manipulation protection	Lead-sealable
-------------------------	---------------

Display and format

Consumption indicator	Analogue (6 digits) kWh
Status indicator	Pulse indicator (LED) Sensor status indicator

Operating conditions

Temperature (operation)	-20° C ... +65° C
-------------------------	-------------------

General data

Number of modules	1
Colour	Grey
Mounting	DIN rail

Standard compliance

Protection type	IP51
Protection class	II, according to corresponding mounting
Approval mark	CE

Hour meters: The best solution for accurately measuring operating times

MAINTENANCE-FREE TECHNOLOGY, WIDE ASSORTMENT

taxxo product line

The AC hour meters of the taxxo product family are suitable for assembly, installation or DIN rail mounting and are available with different voltage versions. The devices operate mains synchronised within an ambient temperature of -20°C to $+55^{\circ}\text{C}$.

These robust devices of the taxxo family comply with the security guidelines of protection class II and IP20 protection - even IP54 protection with seal - and are characterised by a long-life and maintenance-free technology.

The meters of the taxxo product family can capture up to 99,999.99 working hours, for example, suitable for machinery or pumps working time control, and thus guarantee an effective runtime measurement of vehicles or machinery of any kind.



The hour meters of the taxxo product line are used to record operating times of machinery and equipment which are used with alternating current.

 **Hour meters**

Hour meters – Selection guide	20
Surface mounting hour meters	22
taxxo 100	22
Built-in mounting hour meters	24
taxxo 112	24
taxxo 612	26
taxxo 712	28
DIN rail mounting hour meters	30
taxxo 403	30

Hour meter – Selection guide

taxxo 100



taxxo 112



Mounting	Surface mounting	Built-in mounting
Electric connection	Screw terminal with wire protection max. 2.5 mm ² Socket	Flat plug DIN 6.3
Supply voltage	AC 18-26 V ± 10 % 50 Hz AC 110-120 V ± 10 % 50 Hz AC 220-240 V ± 10 % 50 Hz AC 330-380 V ± 10 % 50 Hz	AC 18-26 V ± 10 % 50 Hz AC 110-120 V ± 10 % 50 Hz AC 110-127 V ± 10 % 60 Hz AC 220-240 V ± 10 % 50 Hz
Replacement part / accessory	Base Surface mount housing	Ratchet clamp Cover 55 x 55 Cover 72 x 72 Sealing IP54 for cover 72 x 72
Protection type	IP20	IP20 IP54 with sealing

Page

22

24

taxxo 612	taxxo 712	taxxo 403
-----------	-----------	-----------



Built-in mounting Flat plug DIN 6.3	Built-in mounting Flat plug DIN 6.3	DIN rail mounting Screw terminal with wire protection max. 2.5 mm ² undetachable screw terminals
AC 18-26 V ± 10 % 50 Hz AC 220-240 V ± 10 % 50 Hz AC 330-380 V ± 10 % 50 Hz	AC 18-26 V ± 10 % 50 Hz AC 110-120 V ± 10 % 50 Hz AC 110-127 V ± 10 % 60 Hz AC 220-240 V ± 10 % 50 Hz	AC 18-26 V ± 10 % 50 Hz AC 36-48 V ± 10 % 50 Hz AC 110-120 V ± 10 % 50 Hz AC 110-127 V ± 10 % 60 Hz AC 220-240 V ± 10 % 50 Hz AC 330-380 V ± 10 % 50 Hz
Sealing IP50 Spring clip	Sealing IP50 Ratchet clamp	–
IP20 IP50 with sealing	IP20 IP50 with sealing	IP20

26

28

30

Hour meter surface mounting – taxxo 100



PRODUCT DESCRIPTION

The taxxo 100 hour meter with AC intended for surface mounting is available in different voltage variants. The device is equipped with a plug base with screw terminals and operates mains synchronised within an ambient temperature of -20 °C ... + 55 °C. The meter can monitor up to 99,999.99 hours of operation. The product complies with the safety guidelines of protection class II and protection type IP20. taxxo is characterised by long-life and maintenance-free technology with robust and reliable design.

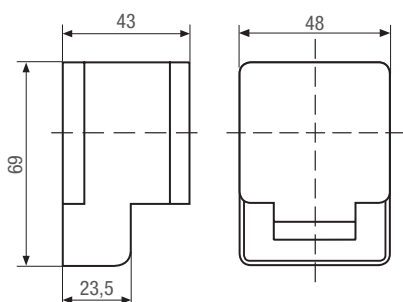
- ▶ Surface mounting for easy and quick installation



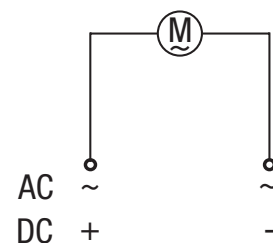
APPLICATION AREAS

- ▶ Machinery working time control
- ▶ Pumps working time control
- ▶ Effective runtime measurement of vehicles and machines

DIMENSION DRAWINGS



CIRCUIT DIAGRAM



TECHNICAL DATA

Electrical Data

Power consumption	1 VA
Accuracy	Mains synchronised

Electric connection

Device	Screw terminal with wire protection max. 2.5 mm ² Socket
--------	--

Display and format

Meter display	Analogue (7 digits) Hours
---------------	------------------------------

Operating conditions

Temperature (operation)	-20° C ... +55° C
-------------------------	-------------------

General data

Mounting	Construction Terminal cover
----------	--------------------------------

Standard compliance

Protection type	IP20
Protection class	II, according to corresponding mounting

SCOPE OF DELIVERY

- ▶ **Base ①**
Item number: 15.92.0021.4
EAN Code: 4010940002862
- ▶ **Mounting housing ②**
Item number: 50.12.0001.4
EAN Code: 4010940002879

REPLACEMENT PART / ACCESSORY

- ▶ **Base ①**
Item number: 15.92.0021.4
EAN Code: 4010940002862
- ▶ **Mounting housing ②**
Item number: 50.12.0001.4
EAN Code: 4010940002879

PRODUCT VARIANTS

Item no. / EAN code 05.15.1001.1 / 4010940001339

Supply voltage	AC 220-240 V ± 10 % 50 Hz
Approval mark	CE, VDE, CSA

Item no. / EAN code 05.15.1010.1 / 4010940001377 *

Supply voltage	AC 18-26 V ± 10 % 50 Hz
Approval mark	CE, VDE, CSA

Item no. / EAN code 05.15.1019.1 / 4010940001407

Supply voltage	AC 110-120 V ± 10 % 50 Hz
Approval mark	CE, VDE, CSA

Item no. / EAN code 05.15.1089.1 / 4010940001506

Supply voltage	AC 330-380 V ± 10 % 50 Hz
Approval mark	CE, VDE, CSA

* phase out



Hour meters built-in mounting – taxxo 112



PRODUCT DESCRIPTION

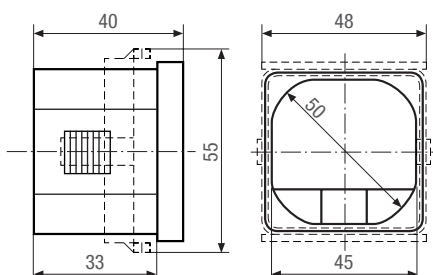
The taxxo 112 hour meters with AC intended for built-in mounting is available in different voltage variants. The device is equipped with screw terminals and operates mains synchronised within an ambient temperature of -20 °C ... + 55 °C. The meter can monitor up to 99,999.99 hours of operation. The product complies with the safety guidelines of protection class II and protection type IP20 and even protection type IP54 by using a baffle with seal. taxxo is characterised by long-life and maintenance-free technology with robust and reliable design.



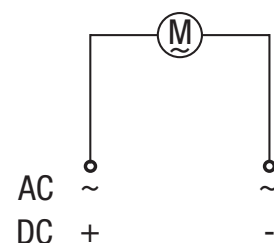
APPLICATION AREAS

- ▶ Machinery working time control
- ▶ Pumps working time control
- ▶ Effective runtime measurement of vehicles and machines

DIMENSION DRAWINGS



CIRCUIT DIAGRAM



TECHNICAL DATA

Electrical Data

Power consumption	1 VA
Accuracy	Mains synchronised

Electric connection

Device	Flat plug DIN 6.3
--------	-------------------

Display and format

Meter display	Analogue (7 digits) Hours
---------------	------------------------------

Operating conditions

Temperature (operation)	-20° C ... +55° C
-------------------------	-------------------

General data

Mounting	Built-in
----------	----------

Standard compliance

Protection type	IP20 IP54 with sealing
Protection class	II, according to corresponding mounting

SCOPE OF DELIVERY

- ▶ **Catch frame ①**
Item number: 15.27.0011.4
EAN Code: 4010940002886

REPLACEMENT PART / ACCESSORY

- ▶ **Catch frame ①**
Item number: 15.27.0011.4
EAN Code: 4010940002886
- ▶ **Baffle 55 x 55 ②**
Item number: 05.15.0065.6
EAN Code: 4010940008802
- ▶ **Baffle 72 x 72 ②**
Item number: 16.26.0006.4
EAN Code: 4010940008819
- ▶ **Sealing IP54 for baffle 72 x 72 ②**
Item number: 11.24.0008.8
EAN Code: 4010940011253

PRODUCT VARIANTS

Item no. / EAN code 05.15.1016.1 / 4010940002275

Supply voltage	AC 18-26 V ± 10 % 50 Hz
Approval mark	CE, VDE, CSA, UL

Item no. / EAN code 05.15.1031.1* / 4010940002299*

Supply voltage	AC 110-127 V ± 10 % 60 Hz
Approval mark	CE, CSA, UL

Item no. / EAN code 05.15.1038.1 / 4010940002268

Supply voltage	AC 220-240 V ± 10 % 50 Hz
Approval mark	CE, VDE, CSA, UL

Item no. / EAN code 05.15.1118.1 / 4010940002282

Supply voltage	AC 110-120 V ± 10 % 50 Hz
Approval mark	CE, VDE, CSA, UL

* These product variants are only produced by order



Hour meters built-in mounting – taxxo 612



PRODUCT DESCRIPTION

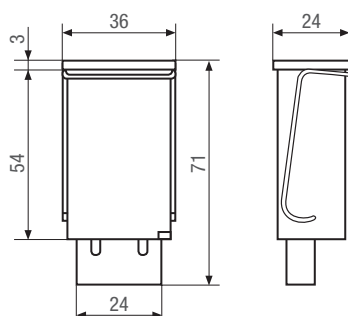
The taxxo 612 hour meter with AC intended for built-in mounting is available in different voltage variants. The device operates network synchronously within an ambient temperature of $-20\text{ °C} \dots +55\text{ °C}$. The meter can monitor up to 99,999.99 hours of operation. The product complies with the safety guidelines of protection class II and protection type IP20 and even protection type IP50 by using a seal. taxxo is characterised by long-life and maintenance-free technology with robust and reliable design.



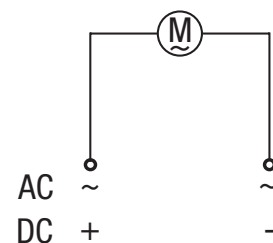
APPLICATION AREAS

- ▶ Machinery working time control
- ▶ Pumps working time control
- ▶ Effective runtime measurement of vehicles and machines

DIMENSION DRAWINGS



CIRCUIT DIAGRAM



TECHNICAL DATA

Electrical Data

Power consumption	1 VA
Accuracy	Mains synchronised

Electric connection

Device	Flat plug DIN 6.3
--------	-------------------

Display and format

Meter display	Analogue (7 digits) Hours
---------------	------------------------------

Operating conditions

Temperature (operation)	-20° C ... +55° C
-------------------------	-------------------

General data

Mounting	Built-in
----------	----------

Standard compliance

Protection type	IP20 IP50 with sealing
Protection class	II, according to corresponding mounting

PRODUCT VARIANTS

Item no. / EAN code 05.20.0006.1 / 4010940001599

Supply voltage	AC 220-240 V ± 10 % 50 Hz
----------------	---------------------------

Item no. / EAN code 05.20.0016.1 / 4010940001667

Supply voltage	AC 18-26 V ± 10 % 50 Hz
----------------	-------------------------

Item no. / EAN code 05.20.0033.1 / 4010940001742

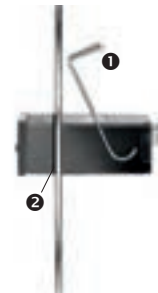
Supply voltage	AC 330-380 V ± 10 % 50 Hz
----------------	---------------------------

SCOPE OF DELIVERY

- ▶ **Spring clip ①**
Item number: 05.20.0026.6
EAN Code: 4010940002961

REPLACEMENT PART / ACCESSORY

- ▶ **Spring clip ①**
Item number: 05.20.0026.6
EAN Code: 4010940002961
- ▶ **Seal IP50 ②**
Item number: 11.24.0007.8
EAN Code: 4010940002978



Hour meters built-in mounting – taxxo 712



PRODUCT DESCRIPTION

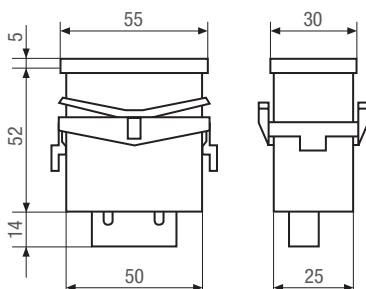
The taxxo 712 hour meter with AC intended for built-in mounting is available in different voltage variants. The device operates mains synchronised within an ambient temperature of $-20\text{ °C} \dots +55\text{ °C}$. The meter can monitor up to 99,999.99 hours of operation. The product complies with the safety guidelines of protection class II and protection type IP20 and even protection type IP50 by using a seal. taxxo is characterised by long-life and maintenance-free technology with robust and reliable design.



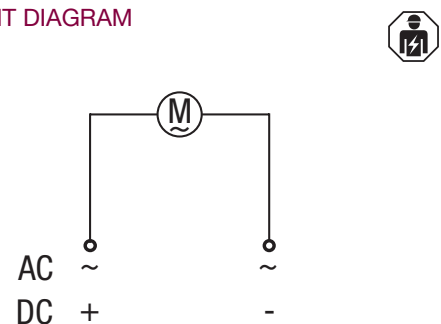
APPLICATION AREAS

- ▶ Machinery working time control
- ▶ Pumps working time control
- ▶ Effective runtime measurement of vehicles and machines

DIMENSION DRAWINGS



CIRCUIT DIAGRAM



TECHNICAL DATA

Electrical Data

Power consumption	1 VA
Accuracy	Mains synchronised

Electric connection

Device	Flat plug DIN 6.3
--------	-------------------

Display and format

Meter display	Analogue (7 digits) Hours
---------------	------------------------------

Operating conditions

Temperature (operation)	-20° C ... +55° C
-------------------------	-------------------

General data

Mounting	Built-in
----------	----------

Standard compliance

Protection type	IP20 IP50 with sealing
Protection class	II, according to corresponding mounting

PRODUCT VARIANTS

Item no. / EAN code 05.20.0004.1 / 4010940001582

Supply voltage	AC 220-240 V ± 10 % 50 Hz
Approval mark	CE, VDE, CSA, UL

Item no. / EAN code 05.20.0008.1* / 4010940001629*

Supply voltage	AC 110-127 V ± 10 % 60 Hz
Approval mark	CE, CSA, UL

Item no. / EAN code 05.20.0018.1 / 4010940001681

Supply voltage	AC 18-26 V ± 10 % 50 Hz
Approval mark	CE, VDE, CSA, UL

Item no. / EAN code 05.20.0029.1 / 4010940001728

Supply voltage	AC 110-120 V ± 10 % 50 Hz
Approval mark	CE, VDE, CSA, UL

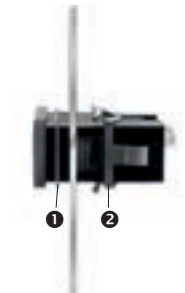
* These product variants are only produced by order

SCOPE OF DELIVERY

- ▶ **Catch frame ②**
Item number: 14.27.0002.4
EAN Code: 4010940002985

REPLACEMENT PART / ACCESSORY

- ▶ **Seal IP50 ①**
Item number: 14.24.0001.5
EAN Code: 4010940002992
- ▶ **Catch frame ②**
Item number: 14.27.0002.4
EAN Code: 4010940002985



Hour meter DIN rail mounting – taxxo 403



PRODUCT DESCRIPTION

The taxxo 403 hour meter with AC intended for DIN rail mounting is available in different voltage variants. The device is equipped with undetachable screw terminals and operates mains synchronised within an ambient temperature of -20 °C ... + 55 °C. The meter can monitor up to 99,999.99 hours of operation. The product complies with the safety guidelines of protection class II and protection type IP20. taxxo is characterised by long-life and maintenance-free technology with robust and reliable design.

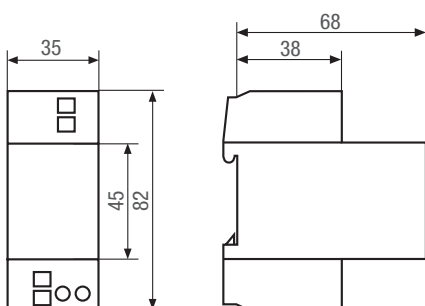
- ▶ Easy and quick installation



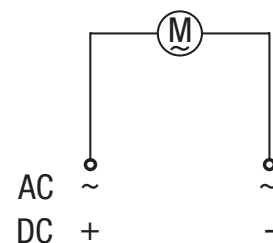
APPLICATION AREAS

- ▶ Machinery working time control
- ▶ Pumps working time control
- ▶ Effective runtime measurement of vehicles and machinery

DIMENSION DRAWINGS



CIRCUIT DIAGRAM



TECHNICAL DATA

Electrical Data

Power consumption	1 VA
Accuracy	Mains synchronised

Electric connection

Device	Screw terminal with wire protection max. 2.5 mm ² Undetachable screw
--------	--

Display and format

Meter display	Analogue (7 digits) Hours
---------------	------------------------------

Operating conditions

Temperature (operation)	-20° C ... +55° C
-------------------------	-------------------

General data

Weight	90 g
Mounting	DIN rail

Standard compliance

Protection type	IP20
Protection class	II, according to corresponding mounting

PRODUCT VARIANTS

Item no. / EAN code 05.21.0002.1 / 4010940001780

Supply voltage	AC 110-120 V ± 10 % 50 Hz
Approval mark	CE, VDE

Item no. / EAN code 05.21.0003.1* / 4010940001797*

Supply voltage	AC 36-48 V ± 10 % 50 Hz
Approval mark	CE, VDE

Item no. / EAN code 05.21.0004.1* / 4010940001803*

Supply voltage	AC 18-26 V ± 10 % 50 Hz
Approval mark	CE, VDE

Item no. / EAN code 05.21.0009.1* / 4010940001810*

Supply voltage	AC 110-127 V ± 10 % 60 Hz
Approval mark	CE

Item no. / EAN code 05.21.0001.1 / 4010940001773

Supply voltage	AC 220-240 V ± 10 % 50 Hz
Approval mark	CE, VDE

Item no. / EAN code 05.21.0006.1 / 4010940007959

Supply voltage	AC 330-380 V ± 10 % 50 Hz
Approval mark	CE, VDE

* These product variants are only produced by order

GRÄSSLIN Services



Technology in plain text

You can obtain additional information about our products in the area of "Technology in plain text" at:
<http://www.graesslin.de/qrc/catalog/glossary/1/de/>



Tender specifications

You can find our current tender specifications as a free download here.
 You can thus quickly and easily use the texts in your contract specifications:
<http://www.graesslin.de/qrc/catalog/tendertext/1/de/>



Discontinued and replacement types

You can find an overview of our discontinued and replacement types here:
<http://www.graesslin.de/qrc/catalog/followuptypes/1/de/>

Legal notice

Publisher

Grässlin GmbH
 Bundesstr. 36
 78112 St. Georgen
 Germany

Phone: +49 (0) 7724 / 933-0
 Fax: +49 (0) 7724 / 933-240
 Email: info@graesslin.de

Visit us online:
www.graesslin.de

Layout

team:orange GmbH, web and advertising agency
www.teamorange.de

Printing

C. Maurer GmbH & Co. KG

Edition

Product catalogue meters 2016 © Copyright by Grässlin GmbH
 Reprint and extracts require written permission.
 Technical changes and errors reserved.





Grässlin GmbH
Bundesstraße 36
78112 St. Georgen
Germany

☎ +49 (0) 7724 / 933-0
📠 +49 (0) 7724 / 933-240

🌐 www.graesslin.de
✉ info@graesslin.de