

# Digi 14 Series

## One Circuit Electronic

## 24 Hour or 7 Day

## Time Switches



Digi 14E



Digi 14A

### APPLICATION

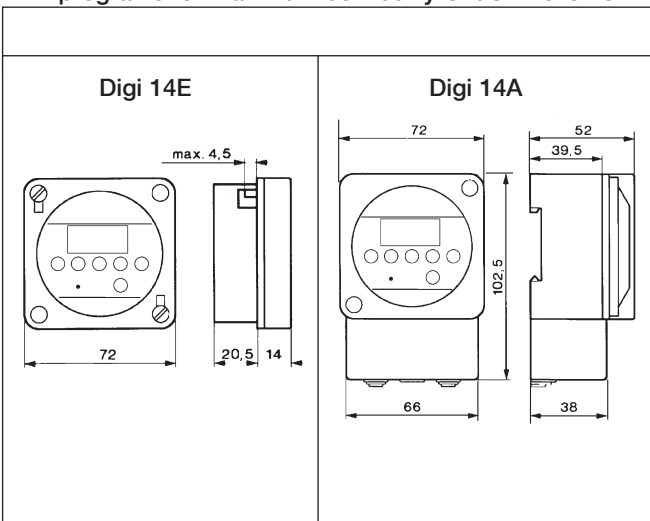
Time based control of lighting, ventilating, heating, cooling or other electrical loads in commercial and industrial applications. These one channel time switches are programmable for 24-hour or 7-day schedules.

The Digi14A is intended for either surface or rail mount. The control is completely enclosed in a plastic housing that includes a terminal cover and sub-base for installation and hard wiring.

The Digi14E is designed to be flush (panel) mounted. Both models are supplied with a clear plastic snap-on dust cover. They also feature large keys with a unique backlit LCD screen that allows for viewing in dark locations.

### FEATURES

- Integrated MOV surge protection assures reliable operation
- Thermal fuse protects unit in the event of overload
- Flexible mounting configurations
- Rechargeable Ni-MH battery holds program and keeps time for up to 60 days
- Block programming reduces number of events: MON-SUN, MON-FRI, SAT-SUN, MON-SAT, MON-WED-FRI
- Backlit LCD illuminates in the dark
- 14 programs for maximum 98 weekly ON/OFF events



### SPECIFICATIONS:

**Wiring Connection:** 1/4" Quick Terminals

**Supply Voltage:** 125VAC, 60 Hz.

**Switch Output:** SPDT (Form C Relay Contacts)

**Switch Rating:** 15A General Purpose/Resistive @125VAC  
1000W Tungsten @125VAC  
1/2HP @125VAC

**Battery Back-Up:** Rechargeable Ni-MH (Holds program and keeps time for up to 60 days)

**Operating Temperature:** -10°C to + 55°C

**Accuracy:** ± 1 sec/day at 20°C

**Number of Programs:** 7 ON, 7 OFF

**Block Programming:** MON-SUN, MON-FRI, SAT-SUN, MON-SAT, MON-WED-FRI

**Shortest Switching Time:** 1 Minute

**Display:** Backlit LCD (Illuminates in the dark)

**Protection:** MOV and Thermal Fuse

**Agency Approvals:** UL Recognized

### SPECIFIERS GUIDE

Furnish and install an Intermatic Digi14 electronic time switch. This one channel controller shall have 24 hour and 7 day programming and also offer 7 ON and 7 OFF set points and include 5 block programs for different weekday schedules. The LCD shall be backlit and display time of day in AM/PM format and provide load status indication. A daylight time adjustment key shall also be provided. The time switch will be programmable to the minute and also offer a manual override for ON or OFF. The SPDT relay output shall be rated for 15A resistive. Carryover shall be provided for a minimum of 60 days with a built-in rechargeable Ni-MH battery which does not require replacement. The time switch shall

### ORDERING DATA

Model Code	Timer Voltage	Mounting	Programs	Maximum Weekly On/Off Events	Relay Output Resistive Rating
Digi14A - 120	120V, 50/60Hz	Surface or DIN Rail	14	98	SPDT, 15A
Digi14E - 120	120V, 50/60Hz	Flush/Panel	14	98	SPDT, 15A