

Electronic Timer Control - 365-Day Astronomic Electronic Control

Item ET90215CR



PRODUCT DESCRIPTION

The ET90000 Series combines powerful and intuitive scheduling with truly maintenance-free convenience. The PC App and Mobile App provide real-time remote control, and the USB connection and Ethernet capabilities enable in-field updates.

FEATURES

- ▶ Automatic input voltage selection from 120 to 277 VAC, 50/60 Hz
- ▶ Over 2,000 events plus holiday schedules
- ▶ Advanced scheduling including relative events, such as fourth Thursday of November or first week of year
- ▶ 30 A rated contacts
- ▶ 100-hour supercapacitor eliminates the need for batteries
- ▶ USB connection for uploading, downloading and transferring programs
- ▶ Easy-to-follow on-screen menus for programming to-the-minute accuracy
- ▶ Non-volatile memory protects programming indefinitely
- ▶ Firmware can be upgraded in-field via USB or Ethernet
- ▶ Internally expandable, in 4-circuit increments, up to 16-circuits for 4, 8, and 12-circuit models
- ▶ PC App for easy scheduling or control, either remotely or through USB flash drive
- ▶ Mobile app for real time status and overrides

APPLICATIONS

- ▶ School Districts
- ▶ Banks
- ▶ Small Hotels
- ▶ Franchises
- ▶ Retail Stores
- ▶ Municipalities
- ▶ Parking Lots
- ▶ Offices

TECHNICAL DATA

General	
Model Number	ET90215CR
Description	365-Day Astronomic Electronic Control
UPC Code	078275124882
Brand	Intermatic
Country of Origin (Intermatic)	MEXICO
Warranty	3-Year limited
IGCC	5191
UNSPSC	39122208

Control Specifications	
Minimum ON/OFF Times	1 Sec
Minimum Pulse Time	1 sec
Maximum Pulse Time	23 hours, 59 minutes
Maximum ON/OFF Times	365 days
Maximum ON/OFF Operations	2000
Setpoint Program Count	2000
ON/OFF Operations	2000
Operation Features	Astronomic; Holiday

Operation Mode	365-day
Data Transfer Options	Ethernet Optional/USB
Daylight Savings Adjustment	Automatic
Backup Restoration Time	30 Minutes
Backup Type	Supercapacitor
Backup Protection Time	100 Hour

Mechanical Specifications

Enclosure Type	Outdoor type 3R metal
----------------	-----------------------

Dimensions

Product Dimensions (H x W x D) in	9.6 x 5.7 x 3.6 in
Wire Size Min	#20 AWG
Wire Size Max	#6 AWG

Load Ratings

Electronic Ballast (NO)	8 A, 120-277 VAC, 50 Hz; 8 A, 120-277 VAC, 60 Hz
Magnetic Ballast (NO) Range(s)	20 A, 120-277 VAC, 50/60 Hz
Magnetic Ballast (NC) Range(s)	3 A, 120-277 VAC, 50/60 Hz
Resistive (NO) Range(s)	20 A, 28 VDC; 30 A, 12-240 VAC, 50/60 Hz
Resistive (NC) Range(s)	10 A, 28 VDC; 10 A, 12-240 VAC, 50/60 Hz
Pilot Duty (NO) Range(s)	470 VA, 120-240 VAC, 50/60 Hz
Pilot Duty (NC) Range(s)	275 VA, 120-240 VAC, 50/60 Hz
General Purpose (NC) Range(s)	10 A, 12-240 VAC, 50/60 Hz
General Purpose (NO) Range(s)	30 A, 12-240 VAC, 50/60 Hz
Electronic Ballast (NO) Range(s)	8 A, 120-277 VAC, 50/60 Hz
Tungsten (NO) Range(s)	5 A, 12-120 VAC, 50/60 Hz

Electrical Specifications

Voltage Selection Type	Auto Voltage
Wiring Option	Terminals
Number of Circuits	2
Switch Type	SPDT
Maximum Power Consumption (W)	16 W

Packaging

Shipping Weight (lbs)	3.642
Unit Carton Dimensions (H x W x L) in	9 x 4.38 x 11.38 in

Environmental Specifications

Temperature (operation)	-40 °F to 104 °F / (-40 °C to 40 °C)
-------------------------	--------------------------------------

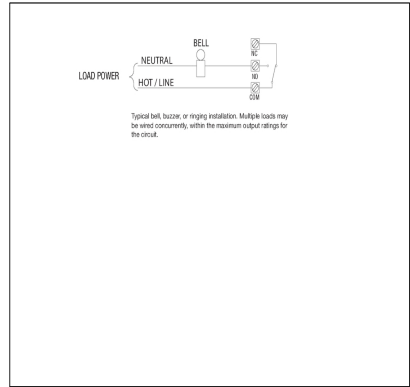
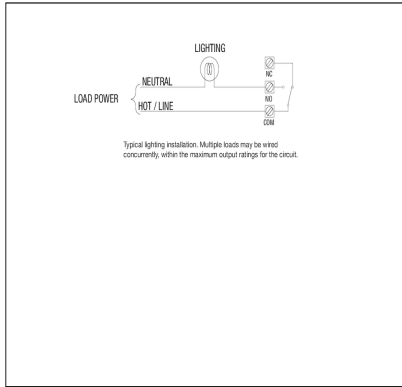
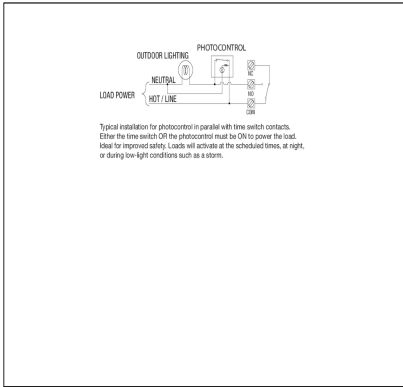
Standards and Certifications

UL Certification	cULus
CSA Certification	cCSAus
Other Certifications and Compatibilities	CA Title 20

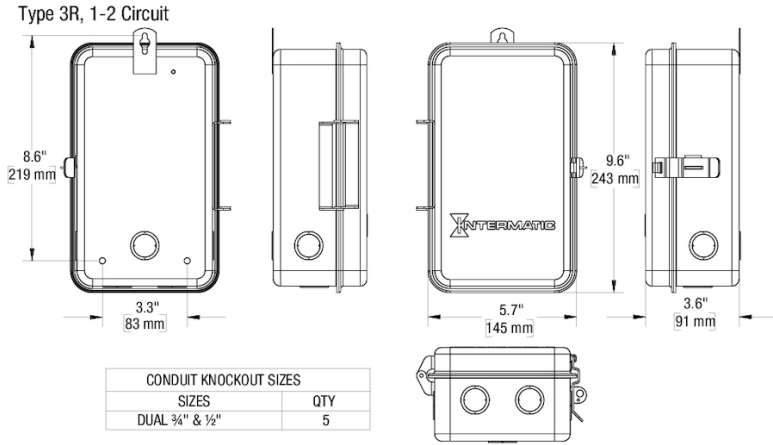
California Proposition 65

Lead

DIAGRAMS



DIMENSIONAL DRAWINGS



ACCESSORIES



ET9232
Ethernet Module for ET90000 Upgrade or Replacement



ET-NF
RC Snubber Noise Filter 24-277VAC/DC for Electronic Controls