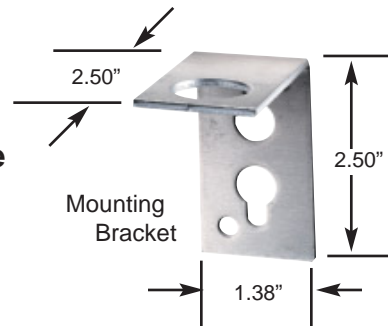


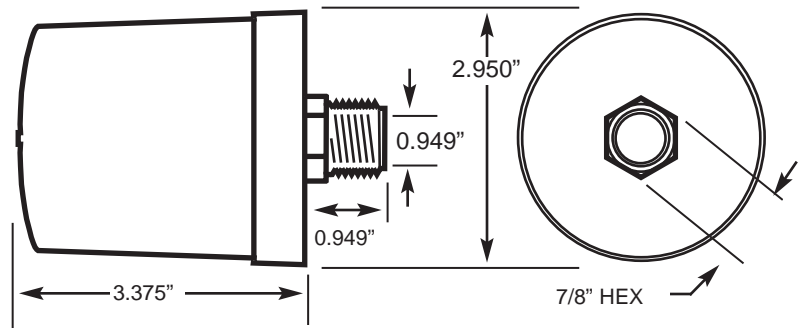
# AG6503C-IND

- For up to 600 VAC Three phase applications
  - May be used for all three phase applications
- For installation in Category "C", "B" and "A" locations
  - Service Entrance, branch panel and individual equipment applications
- Parallel installation
- Multi-Mode protection
  - Line - to - Ground
  - Line - to - Line
- NEMA 4 polycarbonate plastic enclosure
  - 1/2" nipple wire entry
  - UV resistant
- 18", 10-gauge color coded leads
- Mounting Bracket Option (AG1BRKT)
- cULus Listed Lightning Protective Device
  - OWHX - Listing Number 94X1
- Ten year product warranty



## Features and Applications:

The **AG6503C-IND** is a Metal Oxide Varistor (MOV) based hardwired Lightning Protective device that is UL listed as a Secondary Surge Arrester, Category **OWHX**. These devices, commonly called Lightning Arresters, have been tested according to the ANSI/IEEE Standards C62.11 and C62.34. Secondary Surge Arresters are designed to protect electrical equipment from the damaging effects of transient surges caused by lightning, utility switching, electric motor cycling, insulation arcing and various other large or sudden changes in electric current flow.



The AG6503C-IND is a three phase, three-pole arrester designed to protect all three phase voltage electrical systems. Installation of the arrester can be indoors or outdoors. Secondary Surge Arresters may be installed at the meter can or on the service entrance. Installation is allowed on the line side or the load side of the main disconnect of the service. Arresters may also be installed at an individual piece of equipment.

The AG6503C-IND housing is molded from weather and UV resistant polycarbonate which complies with the UL Standard for strength and flame resistance.

All electrical connections in the AG Series are imbedded in a UL recognized epoxy to seal and protect them from moisture and corrosion.

A partial list of applications that the AG Series is recommended for includes: building electric service entrances, garages, street lights, traffic control lights and controllers, parking lot lights, electric motors for irrigation and farm applications, water and sewage lift stations.

## Performance Characteristics:

MODEL	SERVICE VOLTAGE	POLES	LEADS & LENGTH	WIRE CONFIGURATION	ACTUAL CLAMPING VOLTAGE (line to ground)		
					1,500 A	5,000 A	10,000 A
AG6503C-IND	up to 600 VAC	3	4 - 18" 12 gauge	L1, L2, L3, GND/N	1850	2320	2660

## Specifications:

**TECHNOLOGY:** Parallel Metal Oxide Varistors  
(40 kA Line to Ground)

**CONFIGURATION:** Each line to ground/neutral

**MAXIMUM LINE VOLTAGE:** 600 volts AC line to ground

**ENCLOSURE:** Weatherproof and UV resistant NEMA 4 molded polycarbonate with metal threaded nipple.

**OPERATIONAL INDICATORS:** Monitoring circuits supervise components in each phase. Individual green LED for each phase indicates proper operation. LED's will turn OFF on failure of protection.

**ENCAPSULATION:** UL component recognized epoxy potting compound. UL Flame class 94V-0; Relative Temperature Index: Electric - 90, Mechanical - 90.

**MOUNTING:** 1/2" x 20 threaded nipple.

**MOUNTING BRACKET:** Right angle aluminum racket (Optional).  
Order **AG1BRKT**.

**WIRING:** 18" of 12 gauge stranded copper wire is preconnected for each phase, neutral and ground.

**WIRE COLOR CODE:** Black - phase leads, White - ground/neutral lead.

**WEIGHT:** 0.75 pounds, 1.0 pounds in carton.

### AGENCY LISTINGS:

UL: OWHX - Listing No. 94X1

**AMBIENT OPERATING TEMPERATURE:** - 40 to + 85 °C (- 40 to + 185 °F).

## Suggested Specifications:

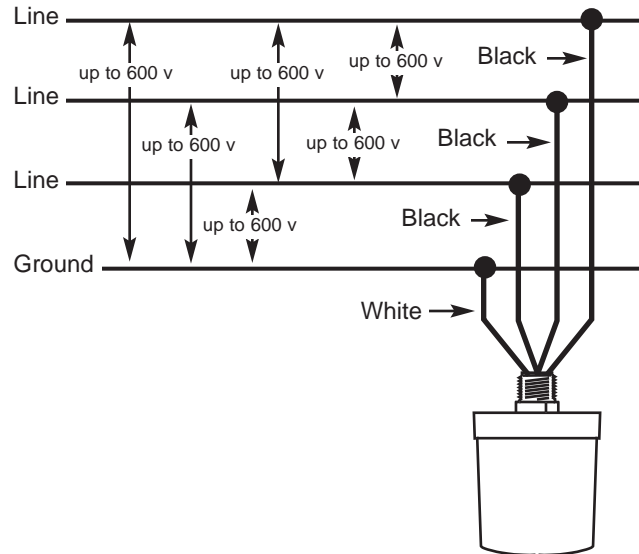
The Secondary Surge Arrester (commonly known as a lightning arrester) shall be listed by Underwriters Laboratories (OWHX), ANSI/IEEE C62.11 for Category 'C' locations. The arrester shall provide protection between each phase conductor and ground. The Maximum Continuous Operating Voltage (MCOV) shall be a minimum of 600 volts AC between phase and ground. The Secondary Surge Arrester shall employ parallel MOV's and provide protection from Category 'C' level transient surges as defined in ANSI/IEEE C62.11, C62.34, C62.41.1 and C62.41.2 without degradation of components.


The arrester housing shall be constructed of UV resistant polycarbonate or material of equal strength and UV resistance. All electrical connections shall be sealed in a UL component recognized epoxy to exclude moisture, dirt and corrosion. The encapsulation shall have a minimum UL Flame Class rating of 94V-0. A one-half inch threaded nipple and locknut shall be provided. Leads shall be a minimum of twelve gauge and eighteen inches in length.

When subjected to a 8 x 20  $\mu$ S test impulse, the Peak Clamping Voltage shall be no greater than 1,850 volts for 1500 Amps; 2,320 volts for 5,000 Amps; or 2,660 volts for 10,000 Amps (@ 4 x 10  $\mu$ S).

The arrester shall carry a ten year warranty and be manufactured by a company who has engaged in the manufacture of such products for a minimum of five years.

## Wiring Diagrams:





**WARRANTY AND LIMITATION OF LIABILITY**

If within ten (10) years from the date of purchase, this Secondary Surge Arrester fails due to defect in material or workmanship, Intermatic Incorporated will repair or replace it free of charge. The warranty does not apply to: (a) damage caused by accident, abuse, mishandling, dropping; (b) units which have been subject to unauthorized repair, opened, taken apart; (c) units not used in accordance with directions. Some states do not allow a limitation of damages, so the foregoing limitations may not apply to you. This warranty gives you specific legal rights and you may also have other rights, which vary, from state to state. This warranty service is available by either (a) returning the product to the dealer from whom the unit was purchased, or (b) obtaining a Returned Authorization from the Intermatic Service Center at 815-675-7000. Contact the company or refer to the warranty sheet enclosed with each product for complete warranty details.

**INTERMATIC INCORPORATED**

SPRING GROVE, ILLINOIS 60081

[www.intermatic.com](http://www.intermatic.com)

© 2005

300AG10016