

MODEL: T51311BC

THREE CIRCUIT SEVEN DAY TIMING CONTROL CENTER WITH SPRING-WOUND CARRY-OVER MOTOR



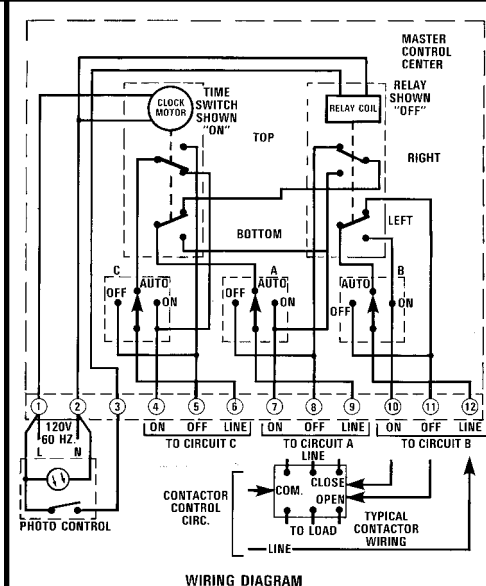
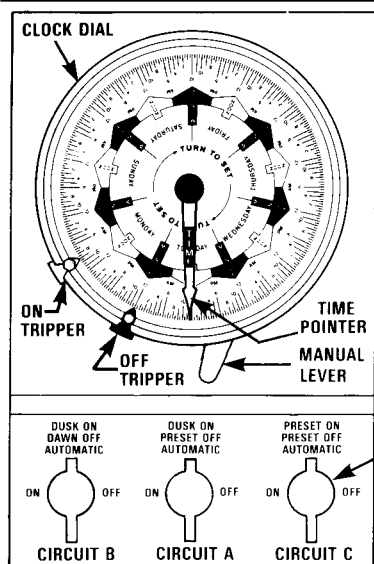
LR3730

CIRCUIT A: PHOTO CONTROL ON-TIME SWITCH OFF
CIRCUIT B: PHOTO CONTROL ON-PHOTO CONTROL OFF
CIRCUIT C: TIME SWITCH ON-TIME SWITCH OFF

CONTACT RATINGS:

15 AMP., 1/2 H.P. - 125 OR 250 VOLTS A.C.
420 V.A. PILOT DUTY, 150 WATTS TUNGSTEN -120V A.C.
TO CONTROL MECHANICALLY HELD AND MAGNETIC CONTACTORS
(MAY ALSO BE USED WITH 24 VOLT SYSTEMS IF WIRED IN ACCORDANCE
WITH NATIONAL ELECTRICAL CODE REGULATIONS.)

CLOCK MOTOR AND PHOTO CONTROL: 120 VOLTS - 60 HZ.



WIRING INSTRUCTIONS

This center can be programmed to control any lighting and other loads on three circuits on a seven day schedule with selected day(s) of the week omitted from circuits **A** and **C**. For terminal markings refer to diagram above. Follow national or local electrical code regulations and complete wiring as shown. Turn selector switches (bottom front panel) to **OFF**. Replace panel before turning on electricity. Test each circuit individually.

PROGRAMMING INSTRUCTIONS

- 1. THE PHOTO CONTROL (INSTALLED OUTSIDE)** selects the "ON" times for circuits **A** and **B** and the "OFF" times for circuit **B** depending on time of season. If fine adjustment is needed move slide on photo control to retard/advance "ON" time. (It will also affect the "OFF" time for circuit **B**.)
- 2. TO SET "OFF" TIMES FOR CIRCUIT C** place bright **ON** trippers on dial edge at day-of-week and time-of-day when "ON" operations are desired. They must be set at times with in the daylight hours of winter. **NOTE:** In order to reset time switch every **OFF** tripper on dial must be followed by an **ON** tripper if circuits **A** and **C** are used.
- 3. TO SET COMMON "OFF" TIMES FOR CIRCUITS A AND C** place dark **OFF** trippers on dial edge at times when "OFF" operations are desired.
- 4. TO SKIP DAYS ON CIRCUITS A AND C** omit trippers for the day(s) automatic operation(s) is/are not required. (Circuit **B** is independently controlled by the photo control.)
- 5. TO SET DIAL TO TIME-OF-DAY** turn dial clockwise and align the exact day-of-week and time-of-day (AM or PM) on dial with the time pointer. Some allowance may be required to compensate for gear backlash. **CAUTION: Do not force dial counterclockwise or move time pointer.**

OPERATING INSTRUCTIONS

- 1. THE THREE POSITION SELECTOR SWITCHES** provide manual control of the three circuits. When turned to **ON** or **OFF**, lights or other loads will remain **ON** or **OFF** until the switch is manually reset. With a switch in **AUTOMATIC** position, operations will follow the preset program of the center.
- 2. IN CASE OF EXTENDED POWER FAILURE OR NEED TO ADVANCE/RETARD TIME** place selector switches in **OFF** position. Reset time-of-day, see step 5 of programming instructions. Then turn selector switch to **ON** or **AUTOMATIC**.

BEFORE ANY BEHIND-THE-PANEL WORK DISCONNECT ELECTRICITY

INTERMATIC INCORPORATED
SPRING GROVE, ILLINOIS 60081-9698