

INTERMATIC® TIME CONTROLS MODEL: C8866



REPEAT CYCLE TIMER



DIAL CYCLE: 1 HOUR
ACTUATING TIME - EACH TRIPPER: 30 SECONDS

SINGLE POLE DOUBLE THROW

SWITCH RATING: 20 AMP, 125-480 VOLTS A.C., ½HP-125V, 1HP-250V.

CLOCK MOTOR: 208-277 VOLTS, 60 HZ.

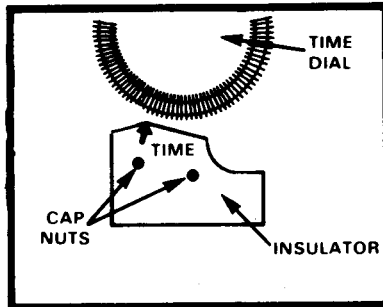
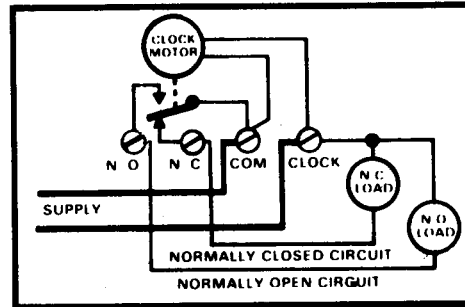


FIG. 1



WIRING DIAGRAM

WIRING INSTRUCTIONS:

This Time Switch can be wired to control two circuits as single pole double throw, or to control one circuit as single pole single throw. Either normally open (NO) or normally closed (NC). To wire Time Switch as desired, see wiring diagram above.

PROGRAMMING INSTRUCTIONS

- SET PROGRAM TIME:** Place tripper(s) into dial at desired time(s) operation(s) is/are required.
 - **ON TIME:** First tripper turns on the load for 32-40 seconds. Each additional tripper will lengthen the on time by 30 seconds.
 - **OFF TIME:** First tripper omitted turns off the load for 20-28 seconds. Each additional space will lengthen the off time by 30 seconds.
- TO SET DIAL,** Turn dial in CLOCKWISE direction only. The "TIME" arrow on insulator indicates point at which switch action takes place.

TO REMOVE MECHANISM FROM CASE, Disconnect electricity and all wiring. Depress retainer spring at upper left, or unscrew mounting screws, then grasp dial and pull mechanism out.

IN CASE OF POWER FAILURE, Reset dial. See Step (2) of programming instructions.

INTERMATIC INCORPORATED
SPRING GROVE, ILLINOIS 60081

158T4312

MADE AND PRINTED IN U.S.A