



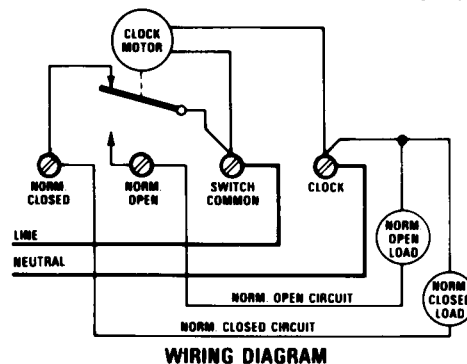
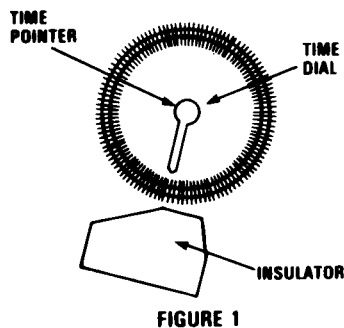
INTERMATIC® TIME CONTROLS

MODEL: C8835

REPEAT CYCLE TIMER



DIAL CYCLE: 30 MINUTES
ACTUATING TIME - EACH TRIPPER 15 SECONDS
SINGLE POLE DOUBLE THROW
SWITCH RATING: 20 AMP. 125-480 VOLTS A.C., ½ HP-125V, 1HP-50V.
CLOCK MOTOR: 125 VOLTS - 60 HZ.



WIRING INSTRUCTIONS:

This Time Switch can be wired to control two circuits as single pole double throw, or to control one circuit as single pole single throw, either normally closed or normally open. To wire Time Switch as desired, see wiring diagram above.

PROGRAMMING INSTRUCTIONS

- SET PROGRAM TIME:** Place tripper(s) into dial at desired time(s) operation(s) is/are required.
 - **ON TIME:** First tripper turns on the load for 16-20 seconds. Each additional tripper will lengthen the on time by 15 seconds.
 - **OFF TIME:** First tripper omitted turns off the load for 10-14 seconds. Each additional space will lengthen the off time by 15 seconds.
- TO SET DIAL,** Turn dial in **CLOCKWISE** direction only. The "TIME POINTER" indicates position at which switch action takes place.

TO REMOVE MECHANISM FROM CASE, Disconnect electricity and all wiring. Depress retainer spring at upper left, or unscrew mounting screws, then grasp dial and pull mechanism out.

IN CASE OF POWER FAILURE, Reset dial, See Step (2) of programming instructions.

INTERMATIC INCORPORATED
SPRING GROVE, ILLINOIS 60081

158T6273

MADE AND PRINTED IN U.S.A.