

**INTERMATIC®**  
TIME CONTROLS

**MODEL: C8815**



# REPEAT CYCLE TIMER



**DIAL CYCLE: 10 MINUTES**  
**ACTUATING TIME - EACH TRIPPER: 5 SECONDS**  
**SINGLE POLE DOUBLE THROW**  
**SWITCH RATING: 20 AMP. 125-480 VOLTS A.C. 1/2HP-125V, 1HP-250V.**  
**CLOCK MOTOR: 125 VOLTS - 60 HZ.**

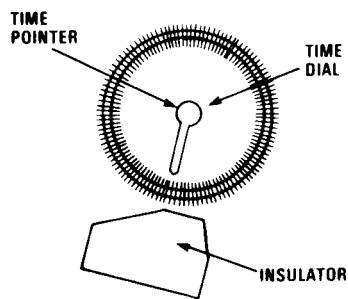
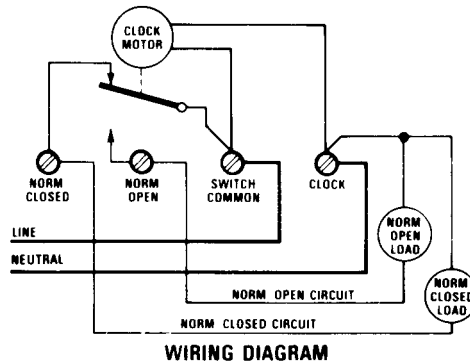


FIGURE 1



## WIRING INSTRUCTIONS:

This Time Switch can be wired to control two circuits as single pole double throw, or to control one circuit as single pole single throw, either normally closed or normally open. To wire Time Switch as desired, see wiring diagram above.

## PROGRAMMING INSTRUCTIONS

- SET PROGRAM TIME:** Place tripper(s) into dial at desired time(s) operation(s) is/are required.
  - **ON TIME:** First tripper turns on the load for 6-8 seconds. Each additional tripper will lengthen the on time by 5 seconds.
  - **OFF TIME:** First tripper omitted turns off the load for 2-4 seconds. Each additional space will lengthen the off time by 5 seconds.
- TO SET DIAL,** Turn dial in **CLOCKWISE** direction only. The "TIME POINTER" indicates position at which switch action takes place.

**TO REMOVE MECHANISM FROM CASE,** Disconnect electricity and all wiring. Depress retainer spring at upper left, or unscrew mounting screws, then grasp dial and pull mechanism out.

**IN CASE OF POWER FAILURE,** Reset dial, See Step (2) of programming instructions.

**INTERMATIC INCORPORATED**  
SPRING GROVE, ILLINOIS 60081

158T6272

MADE AND PRINTED IN U.S.A.