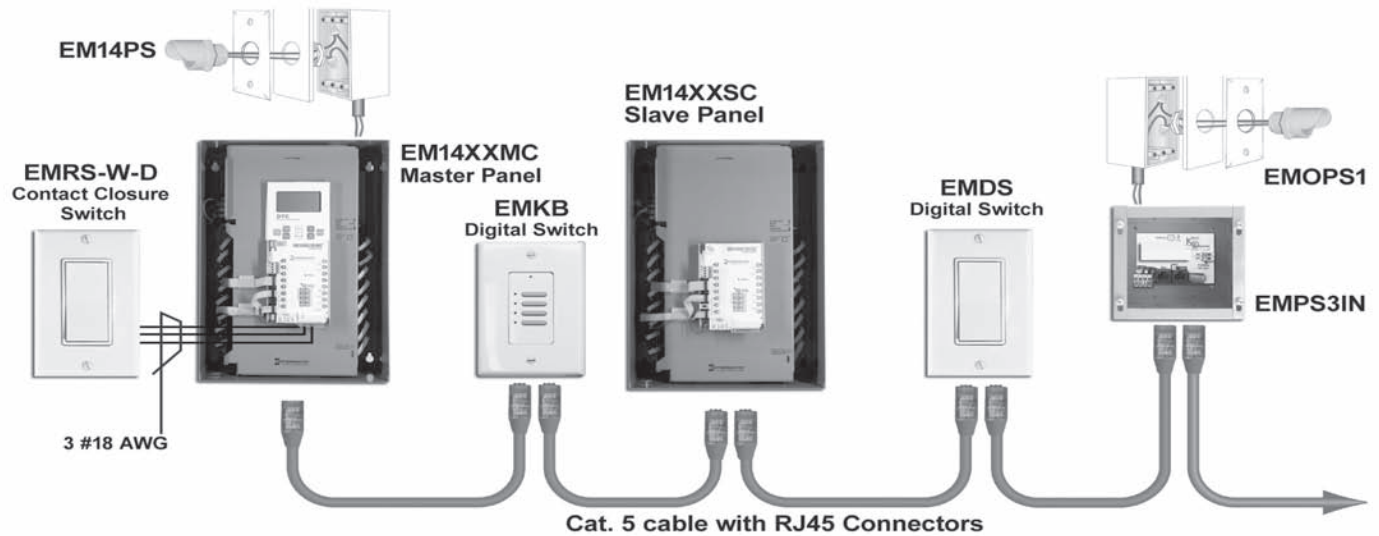




LIGHTING CONTROL EQUIPMENT

EMRS-W-D SWITCH INSTALLATION GUIDE



INSTALLING THE EMRS-W-D

The EMRS0-W-D is a center-off momentary contact closure switch that connects to the contact closure inputs of the EM 1400 Series Relay Panel.

Placement and Wiring

1. "Home-run" the switch to the contact-closure inputs on the EM1400: The green wire goes to the ground input (gnd). Note that this is not "Earth Ground" but a floating common connection for the electronics. The wires should at no time be allowed to touch "earth ground." The blue and white wires each go to one of the inputs labeled with numbers 1-14. See the "Contact Closure Inputs" section of the EM1400 Series Installation Manual for more information.
2. If the wire from the switch to the panel exceeds 200 feet the cable should be shielded and the shield attached to the Gnd (common) wire at the panel only. It is not connected at the switch end.
3. The inputs are not preprogrammed. They have to be programmed for the rocker switch to actuate a relay or relays in the system. See the EM1400 Quick Hook-Up Guide and System and Software Start-Up Manual for instructions on how to do this.
4. This center-off momentary switch has two separate contacts and uses two inputs. To turn a load(s) on and off, program one input as "momentary on" and the other as "momentary off."



EMRS-W-D
Contact Closure Switch